
















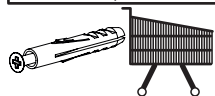


- B1**  ϕ 8x28 x24
- T1**  x30
- M1**  x30
- C2**  ϕ 20 x24
- C2**  ϕ 20 x6
- J23**  x10
- F1**  x6
- P2**  3x16 x6
- C8**  ϕ 60 x1

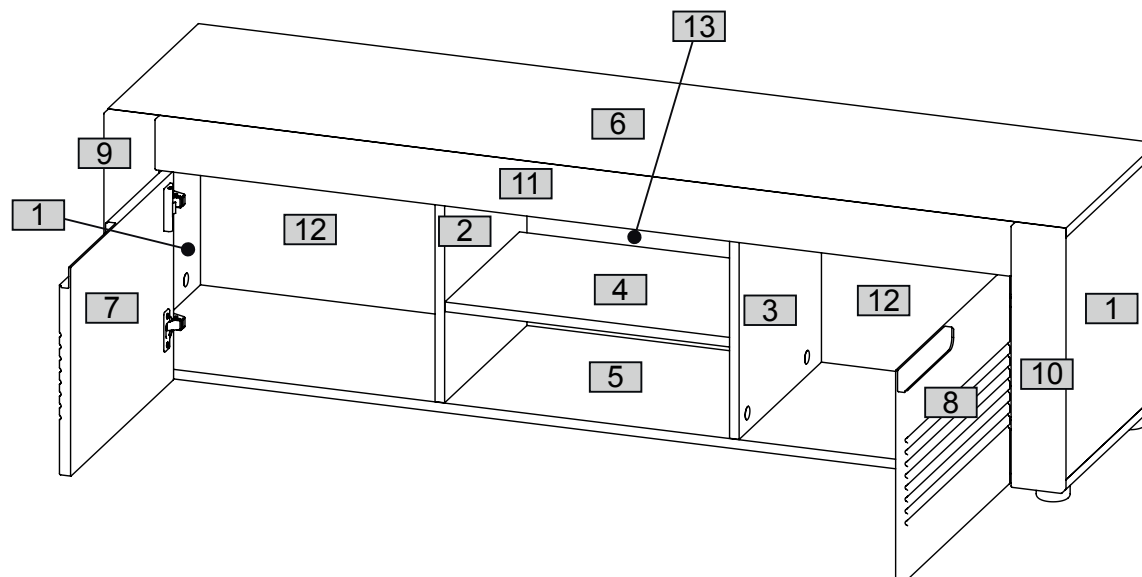
- X9**  x4
- S9**  4x16 x8
- D4**  x4
- X19**  x2

- F10**  x6
- P17**  4x20 x6

- J11**  x1
- P13**  3,5x13 x2



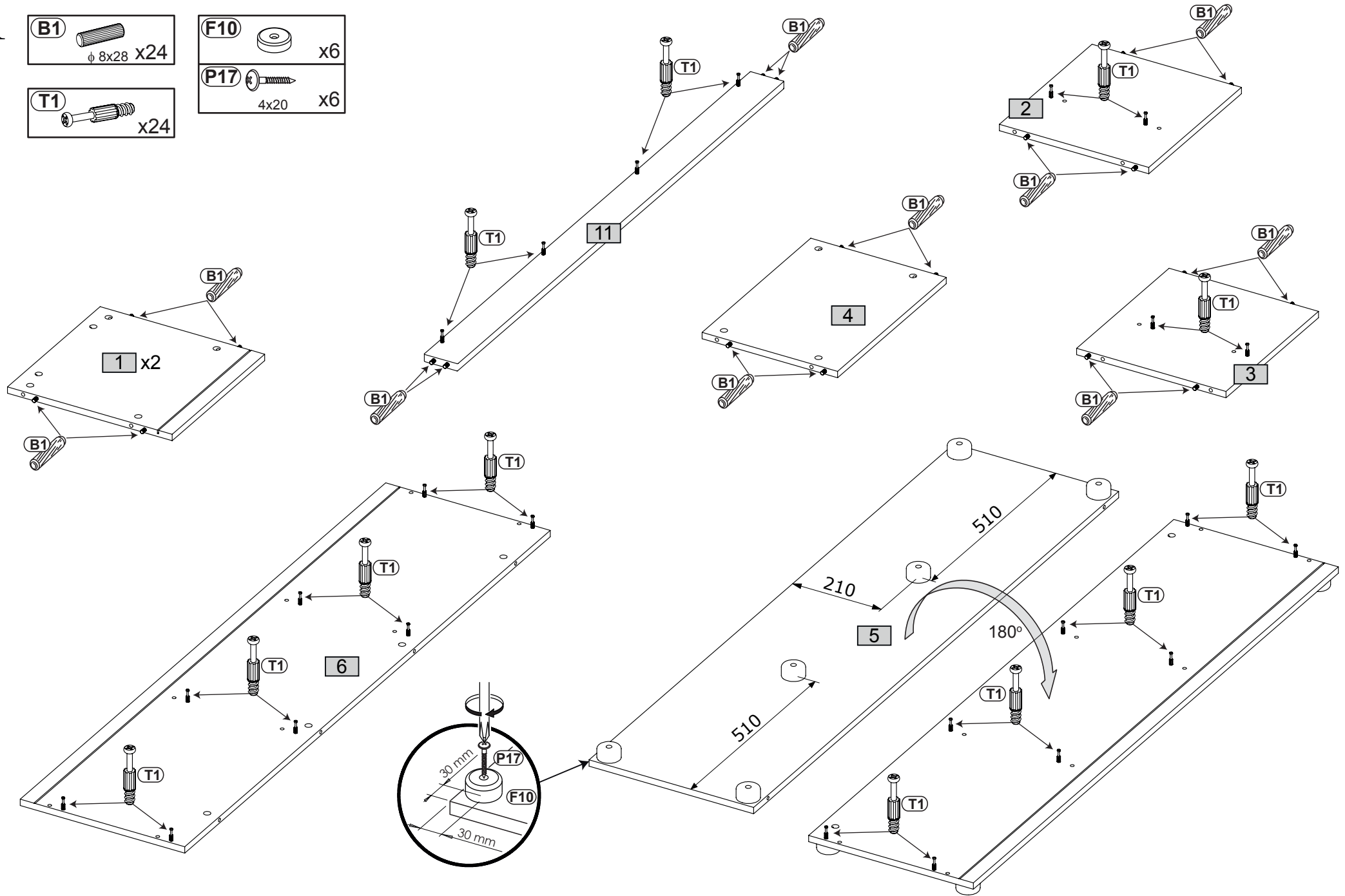
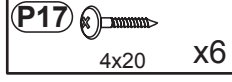
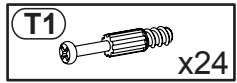
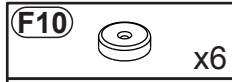
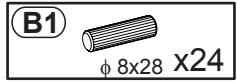
| Nr | Ausmaß | | | St |
|----|--------|-----|----|----|
| 1 | 380 | 390 | 15 | 2 |
| 2 | 380 | 354 | 15 | 1 |
| 3 | 380 | 354 | 15 | 1 |
| 4 | 446 | 321 | 15 | 1 |
| 5 | 1498 | 390 | 15 | 1 |
| 6 | 1500 | 390 | 15 | 1 |
| 7 | 327 | 443 | 18 | 1 |
| 8 | 327 | 443 | 18 | 1 |
| 9 | 410 | 80 | 18 | 1 |
| 10 | 410 | 80 | 18 | 1 |
| 11 | 1340 | 80 | 18 | 1 |
| 12 | 510 | 394 | 2 | 2 |
| 13 | 460 | 394 | 2 | 1 |



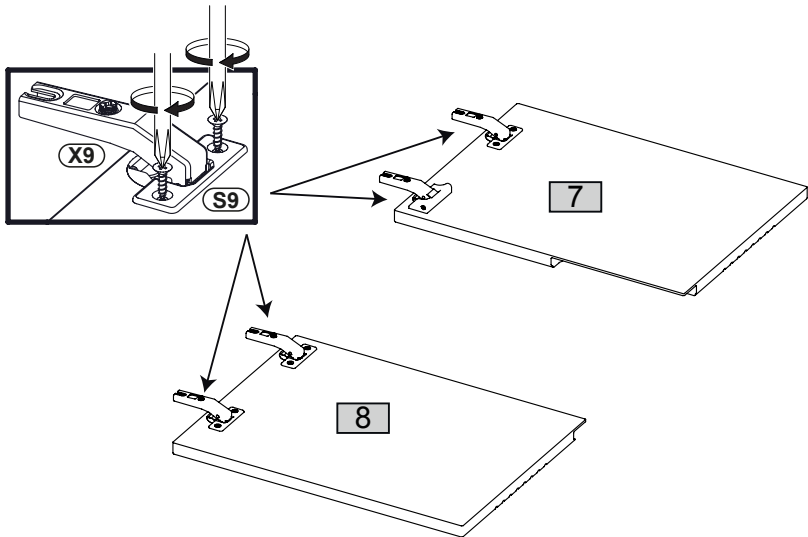
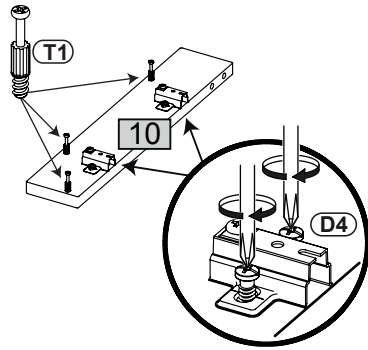
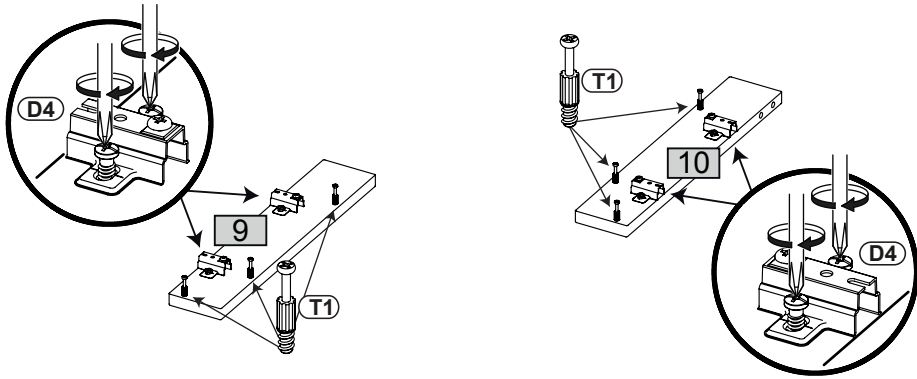
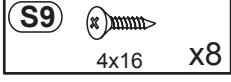
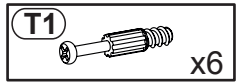
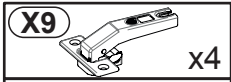
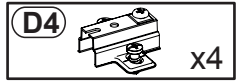
0 10 20 30 40 50 60 70 80 90 100 110 120 130 140 150 160 170 180 190 200



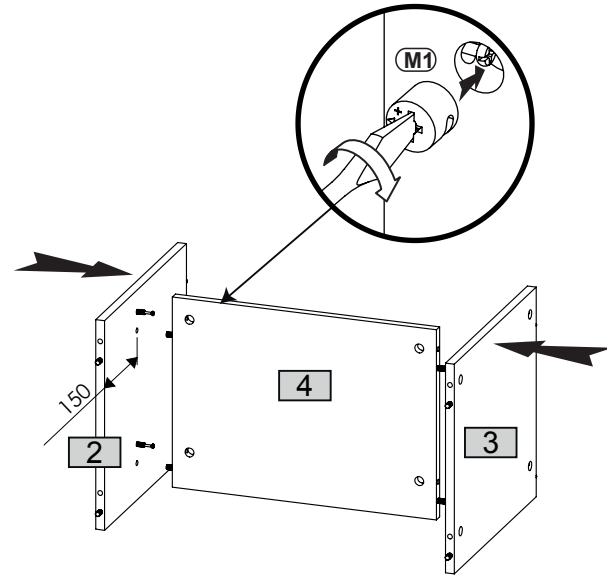
1



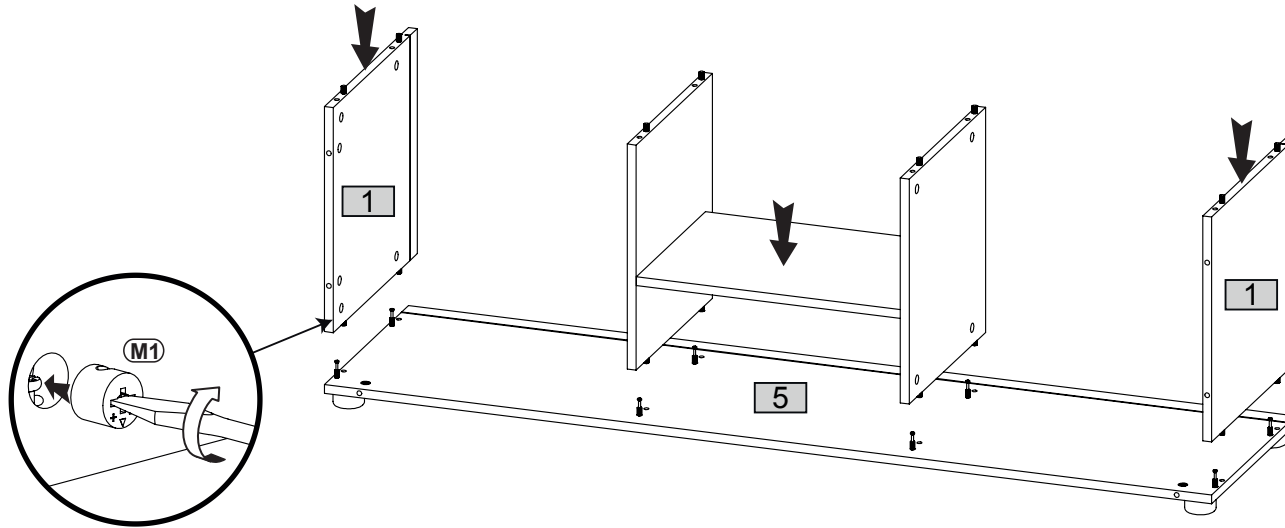
2



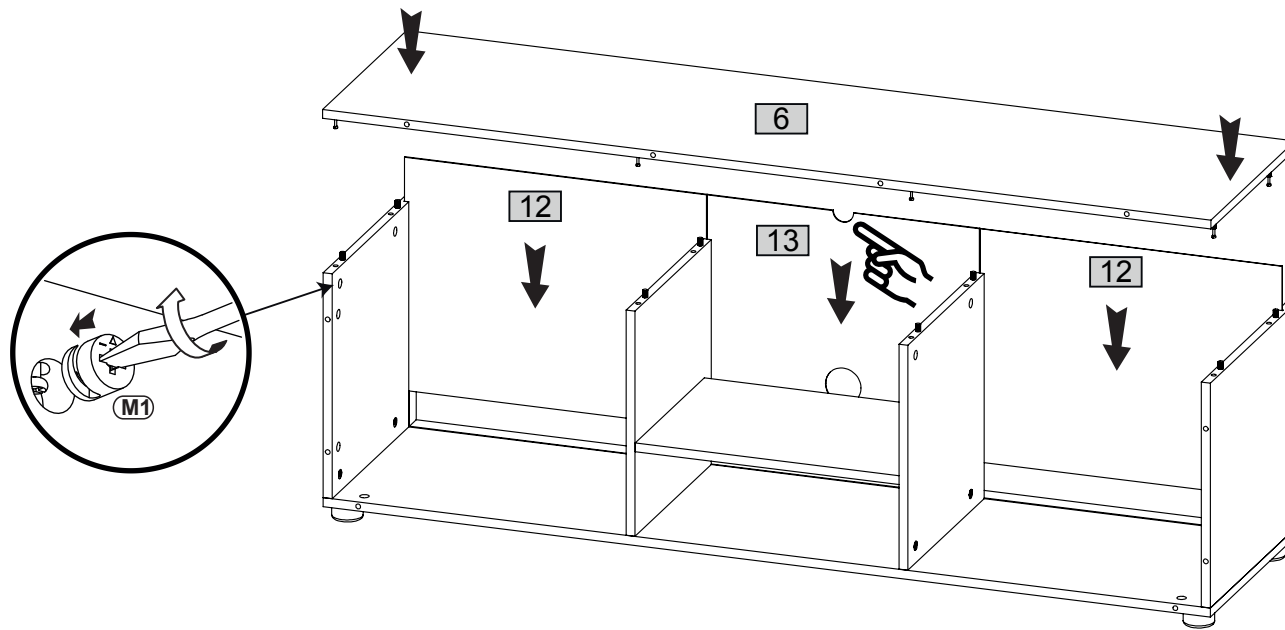
3



4

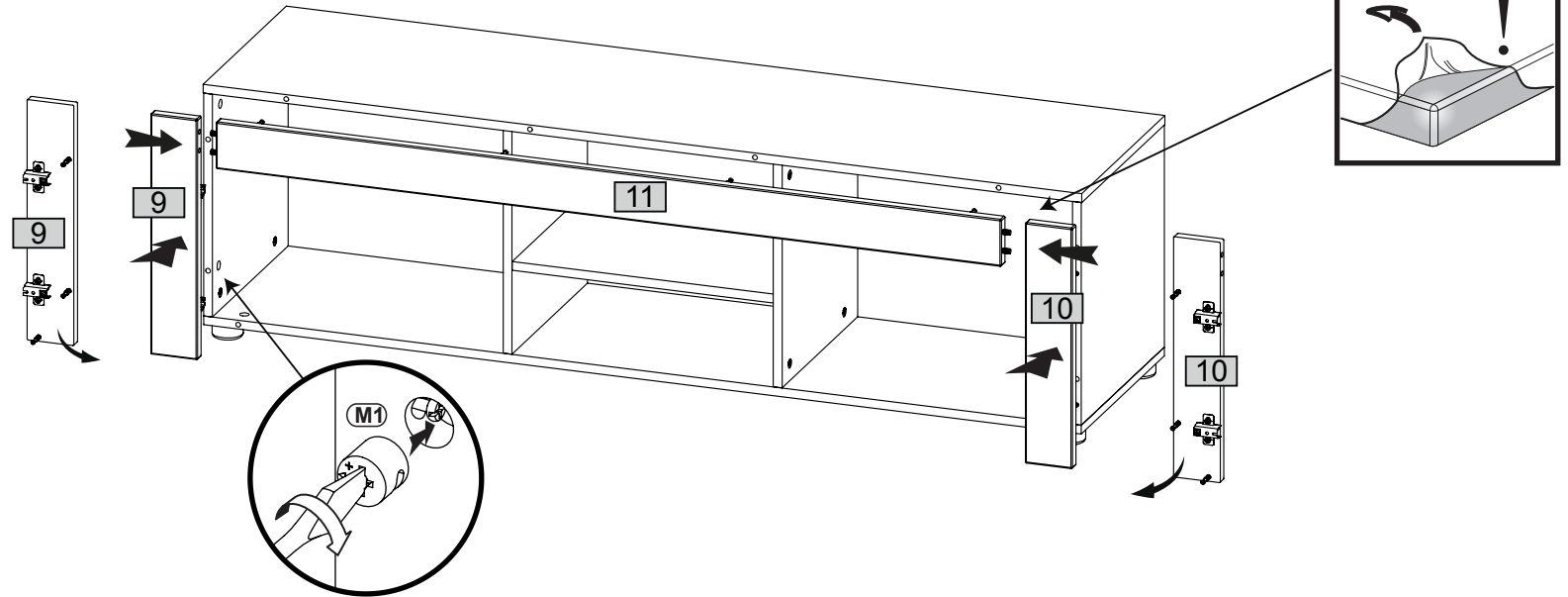


5





6


M1  x10

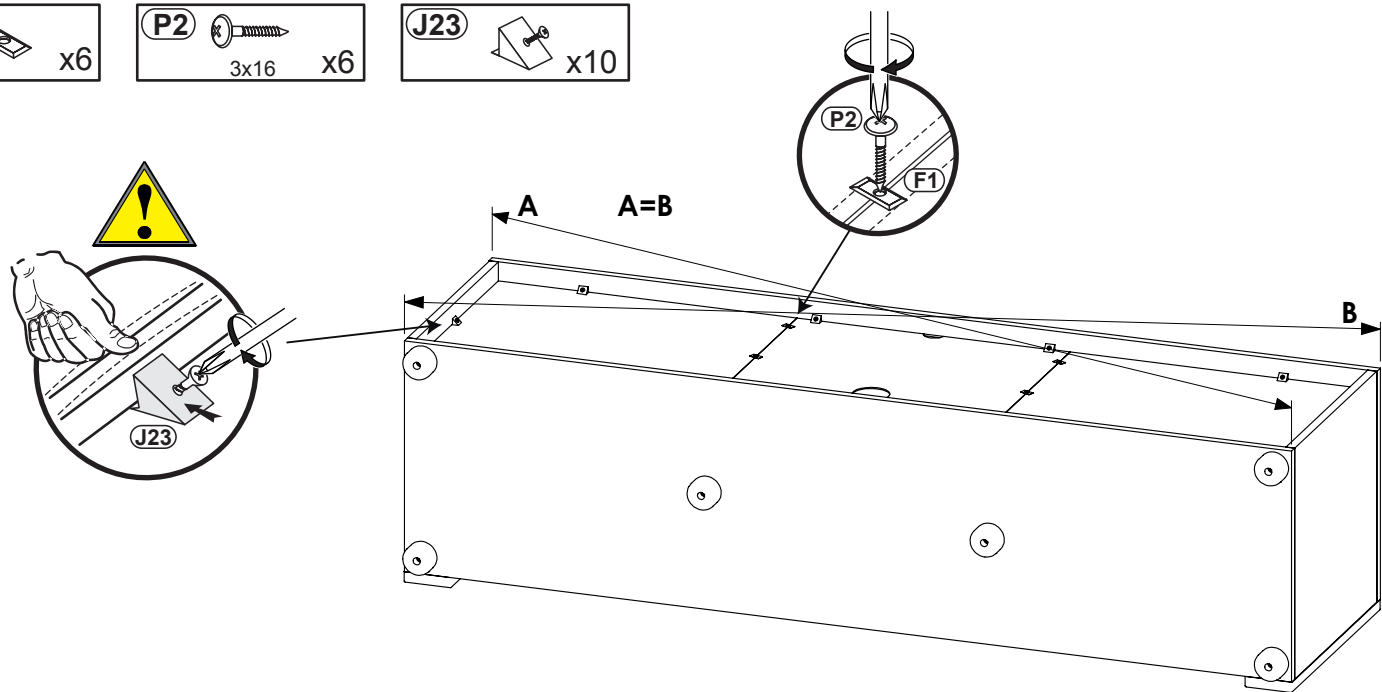


7

F1  x6

P2  3x16 x6

J23  x10



8

