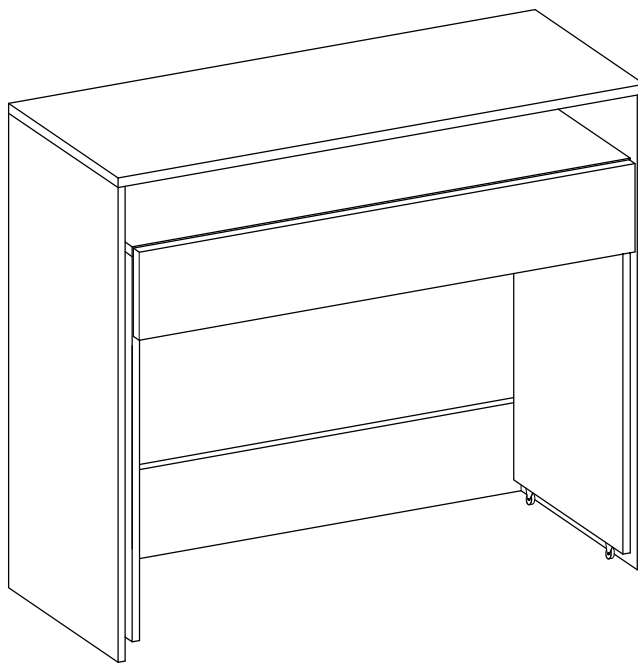


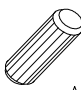














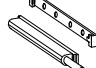





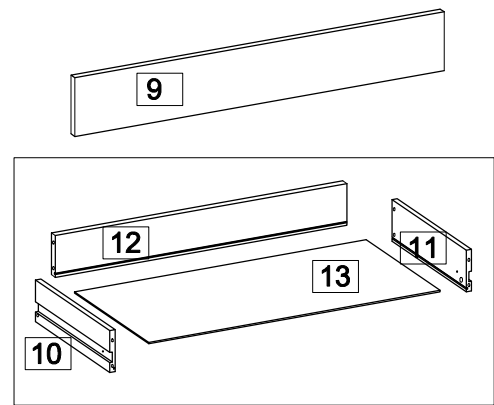
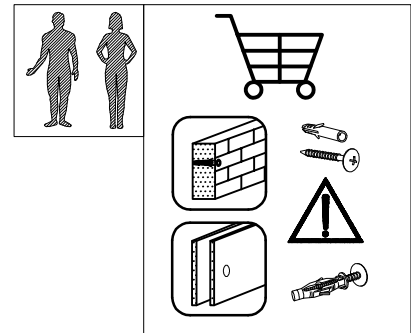
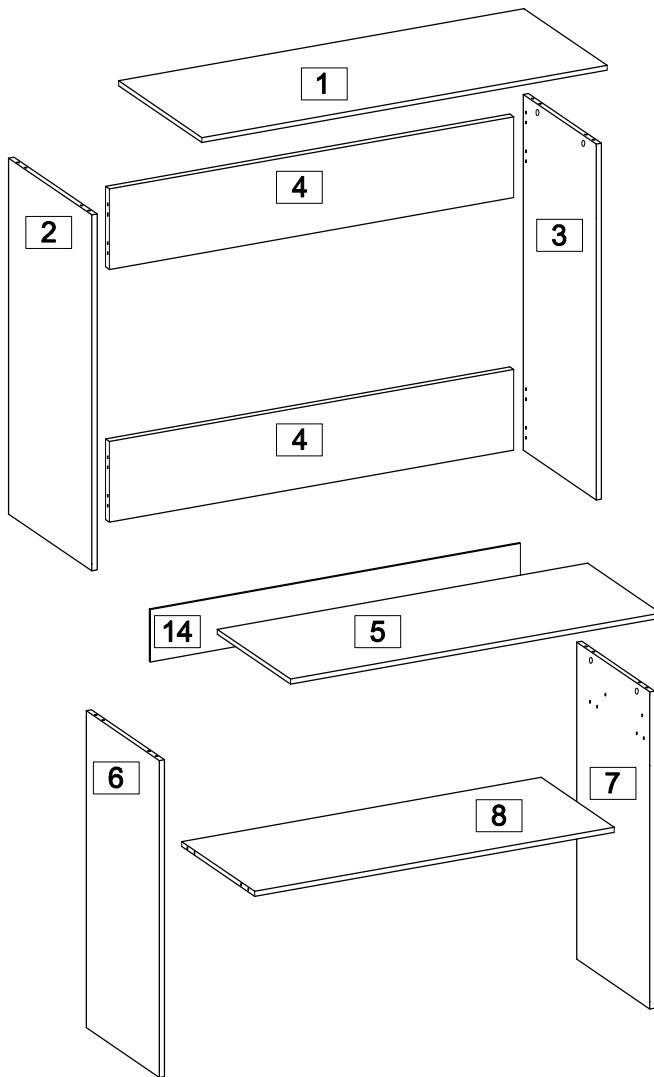
# ZOOM

BIURKO - 1S





 A1	 C	 D1	 O	 C6	 D5	 D6	 N	 L	 E
24	20	20	1	2	2	2	2	4	4
 O11	 I2	 P24	 R14	 F1	 J1	 P25	 Z10	 I4	
1	2	16	2	6	1	20	4	1SET	





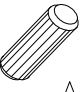

1	2	3	4	5	6	7	8	9	10	11	12
980x390x16 mm	850x390x16 mm	850x390x16 mm	946x200x16 mm	920x340x16 mm	706x340x16 mm	706x340x16 mm	886x340x16 mm	146x918x16 mm	300x100x12 mm	300x100x12 mm	854x100x12 mm
1x	1x	1x	2x	1x	1x	1x	1x	1x	1x	1x	1x

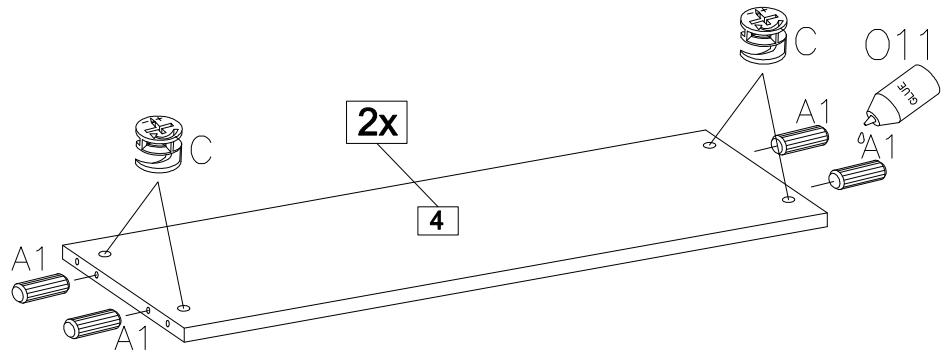
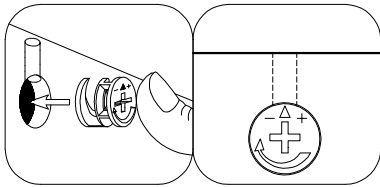
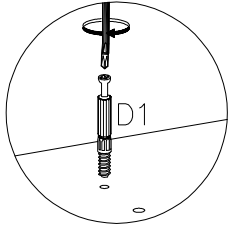
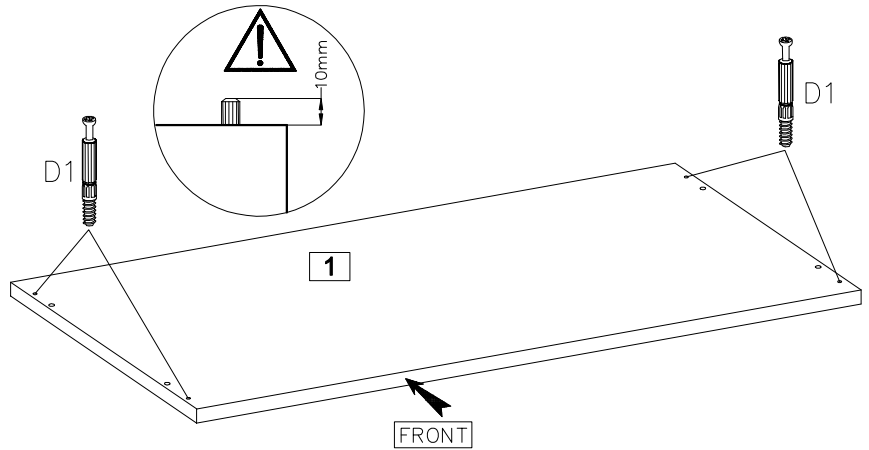
13	14										
864x298x3 mm	914x145x3 mm										
1x	1x										

+S



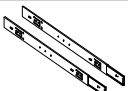
ZOOM

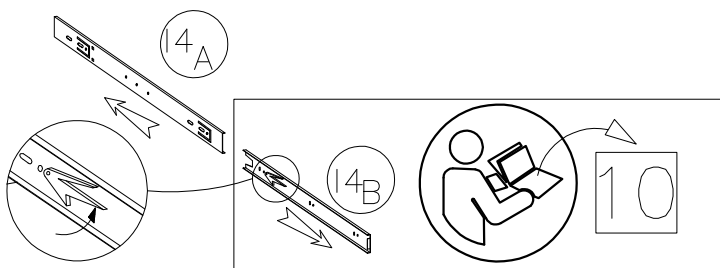
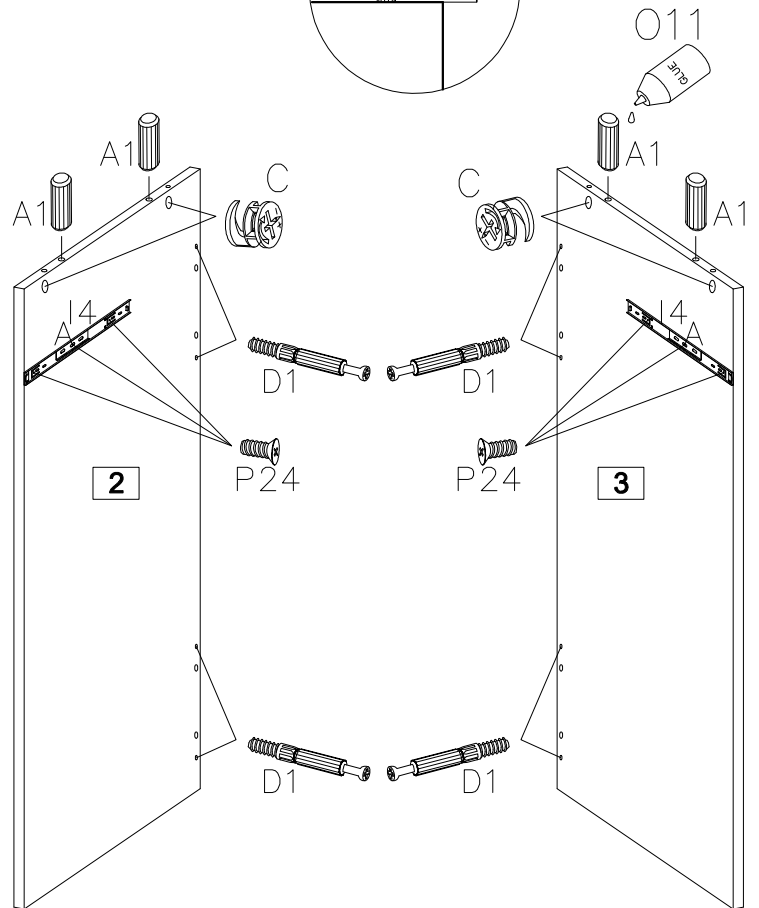
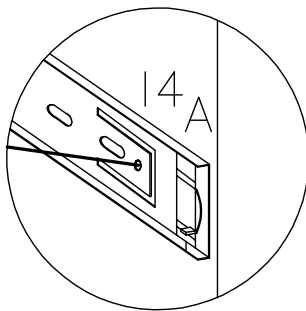
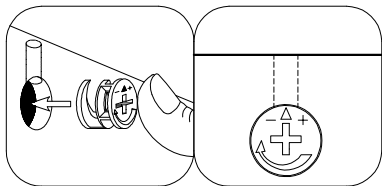
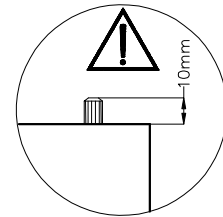
1

	
O11	D1
1	4
∅8x35mm	∅15/12mm
	
A1	C
8	8



2

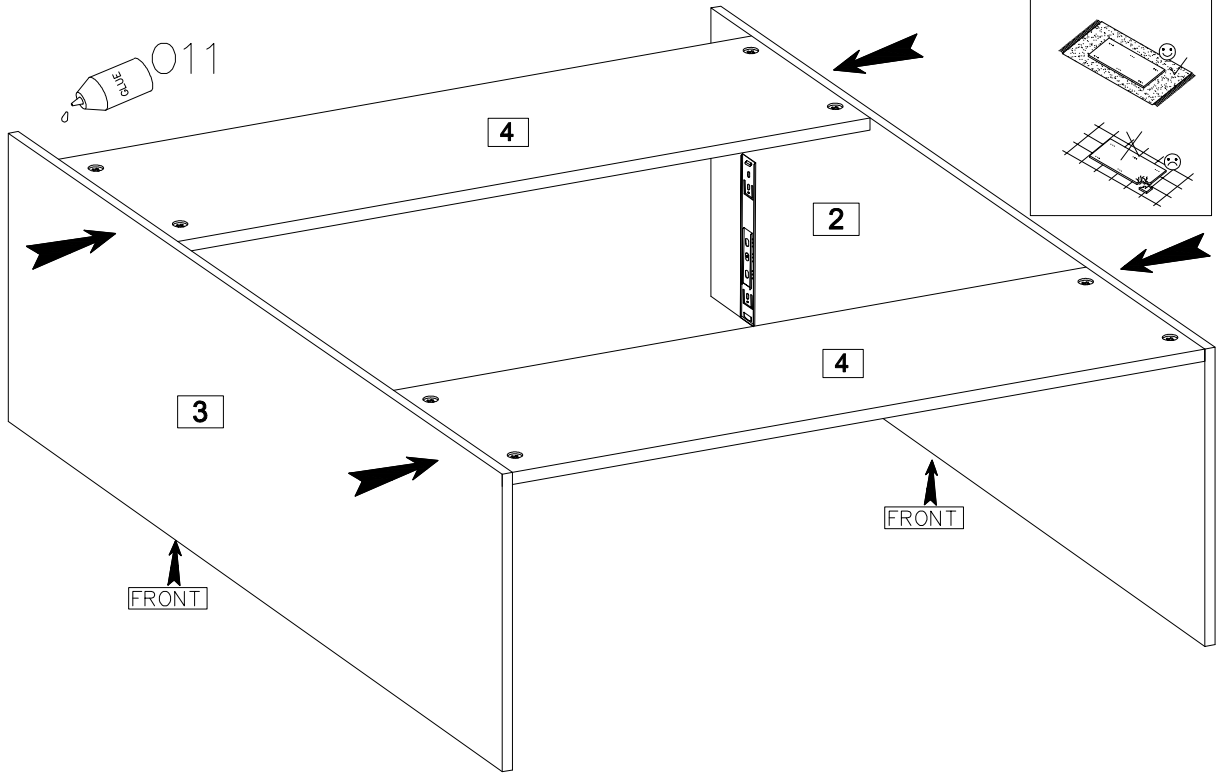
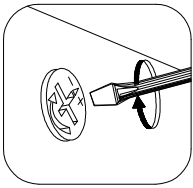
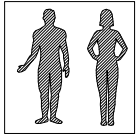
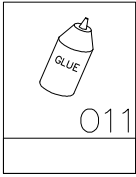
∅8x35mm	∅15/12mm		
A1	C	O11	D1
4	4	1	8
	∅5.0x10mm		
I4	P24		
1SET	6		



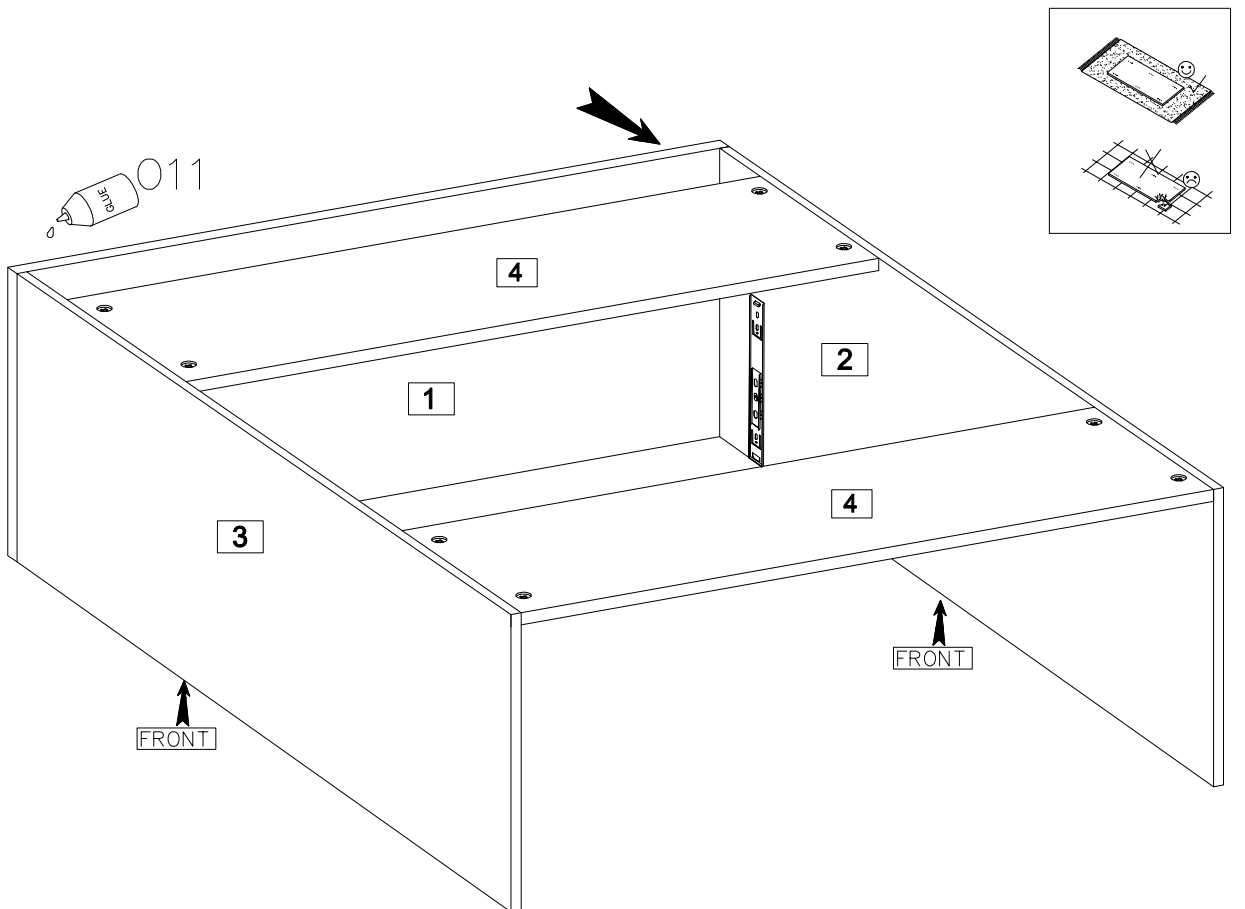
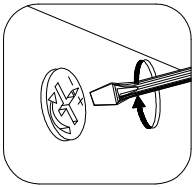
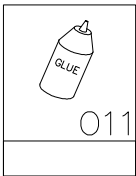
+S

ZOOM

3



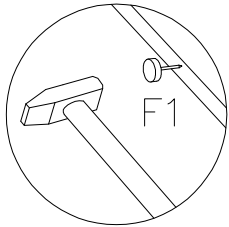
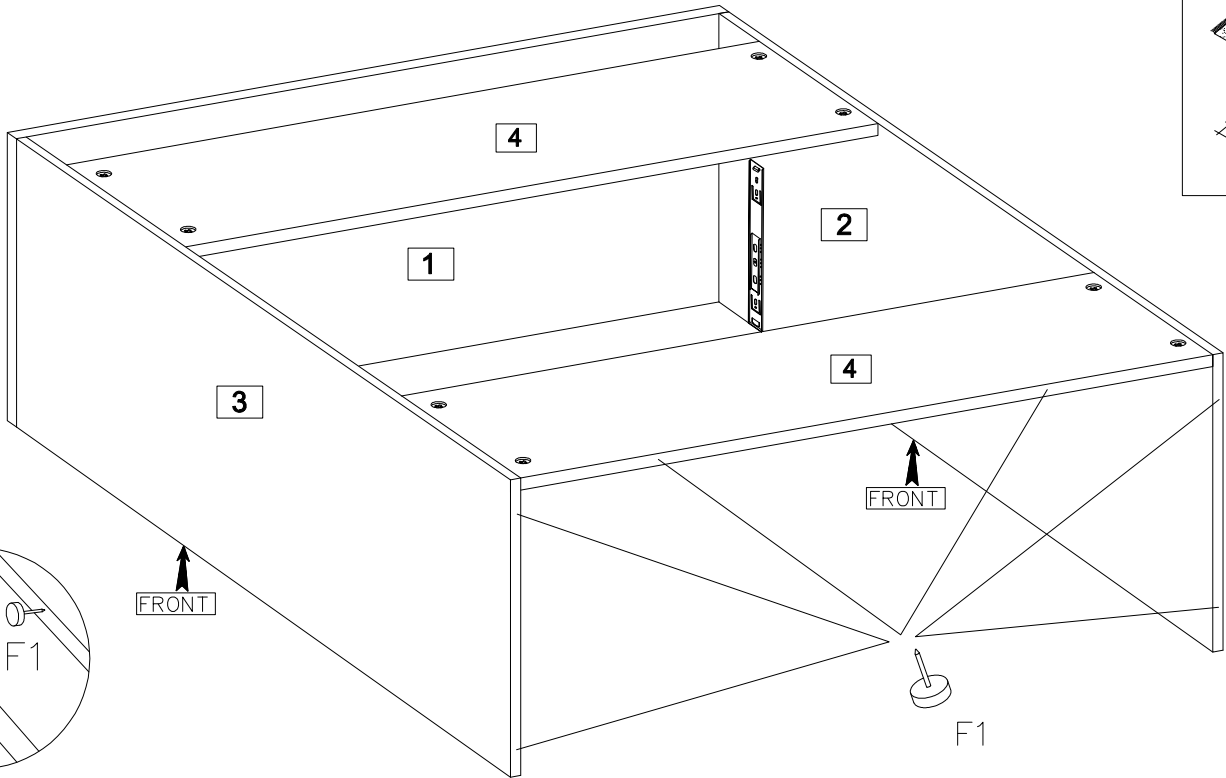
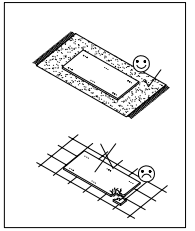
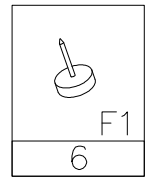
4



+S

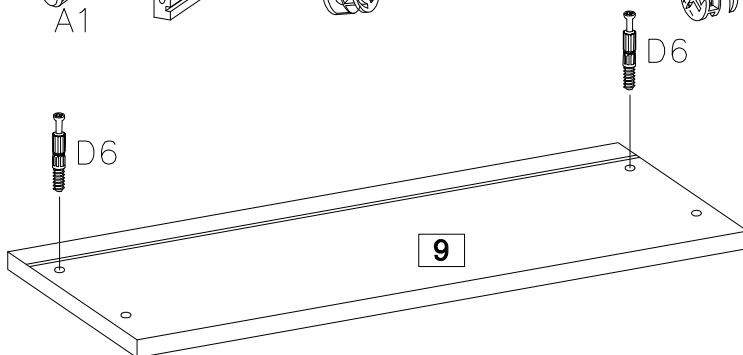
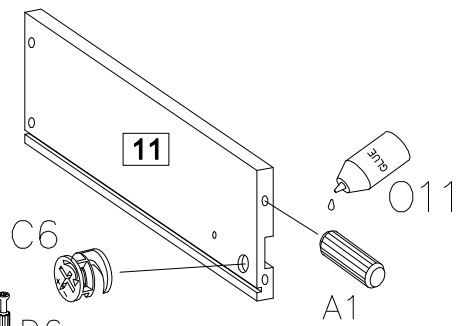
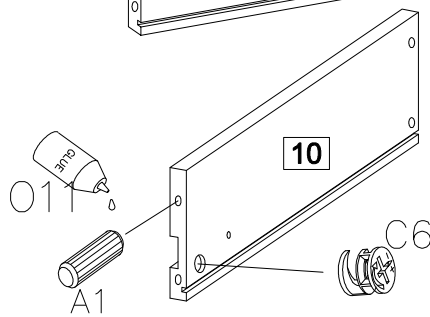
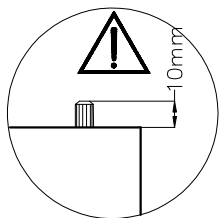
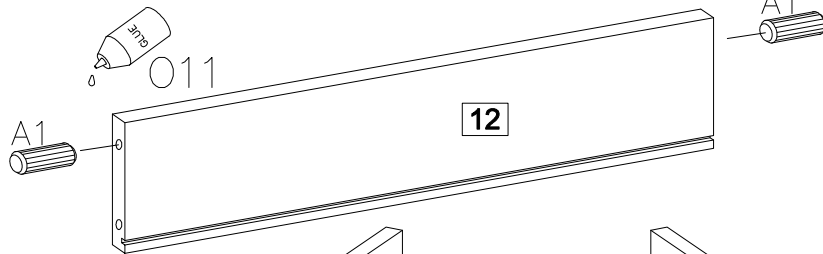
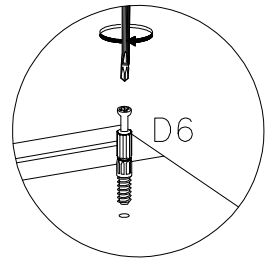
ZOOM

5



6

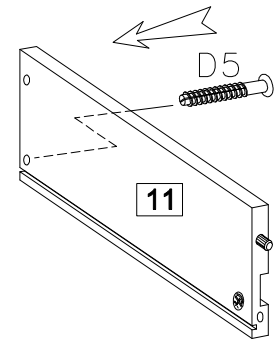
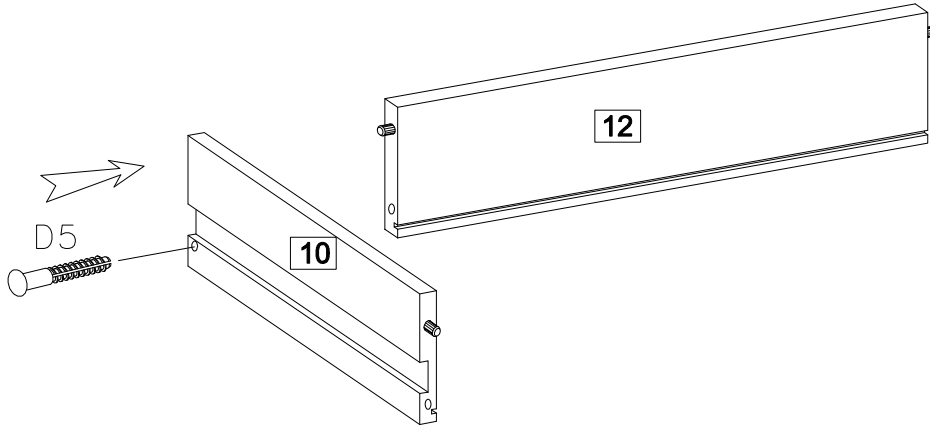
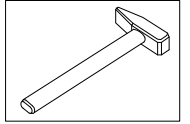
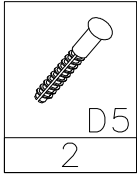
$\varnothing 8 \times 35 \text{mm}$	$\varnothing 12 / 10 \text{mm}$	GLUE	
A1	C6	O11	D6
4	2	1	2



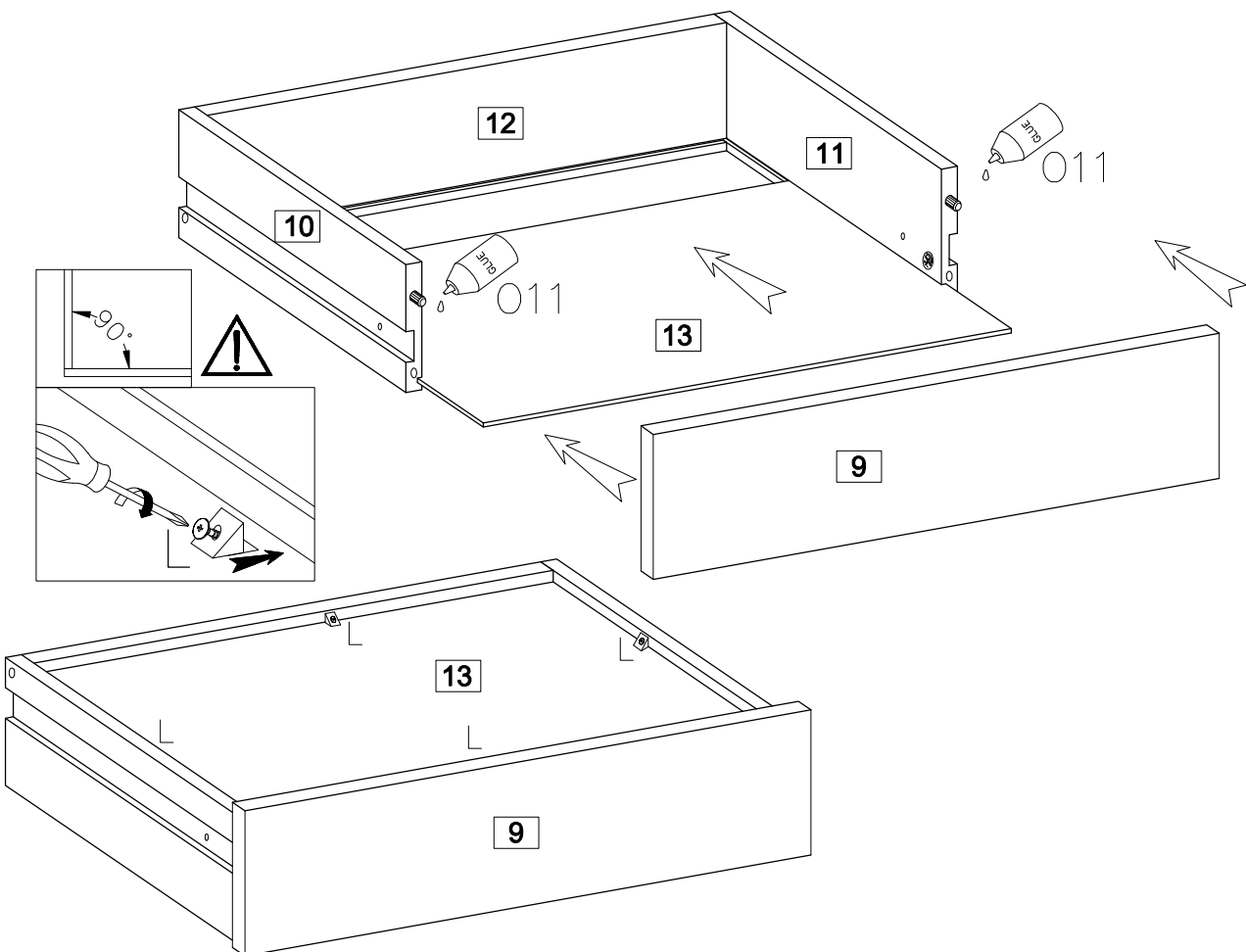
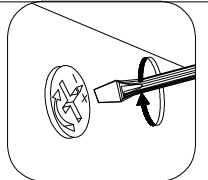
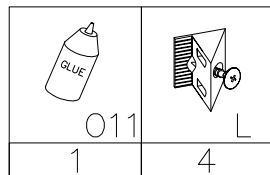
+S

ZOOM

7





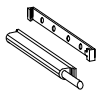
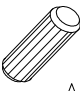


8

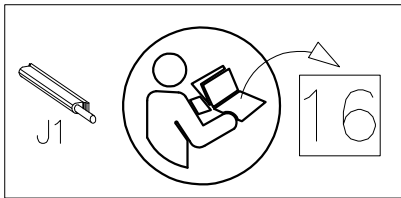
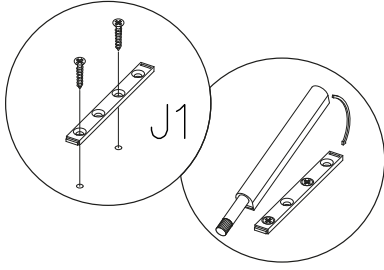
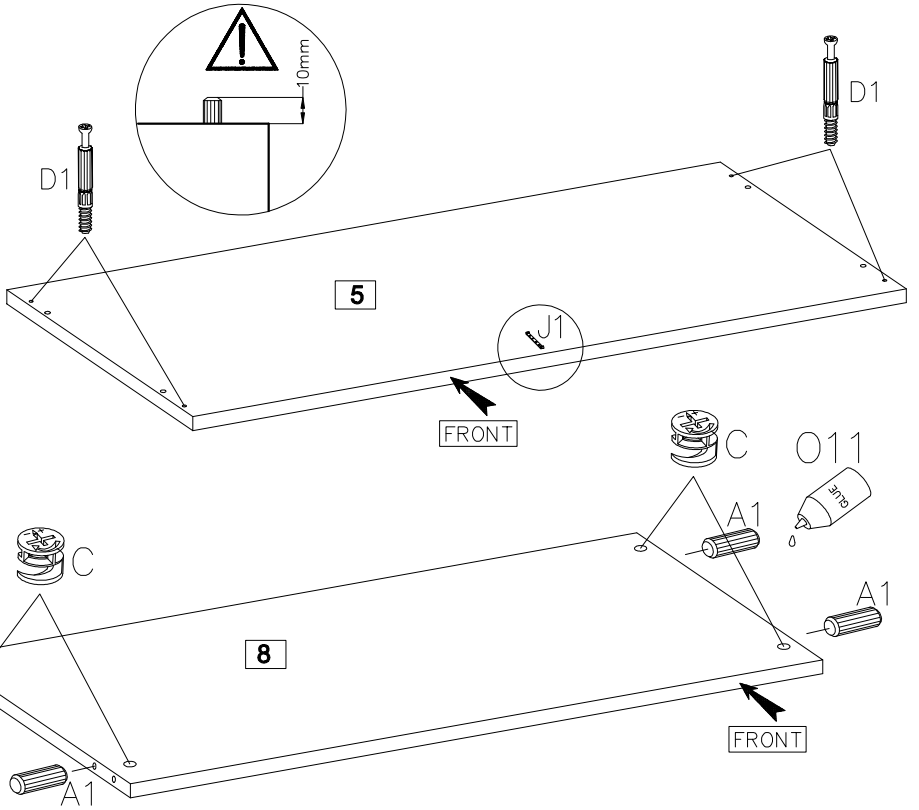


+S

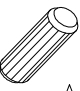






ZOOM

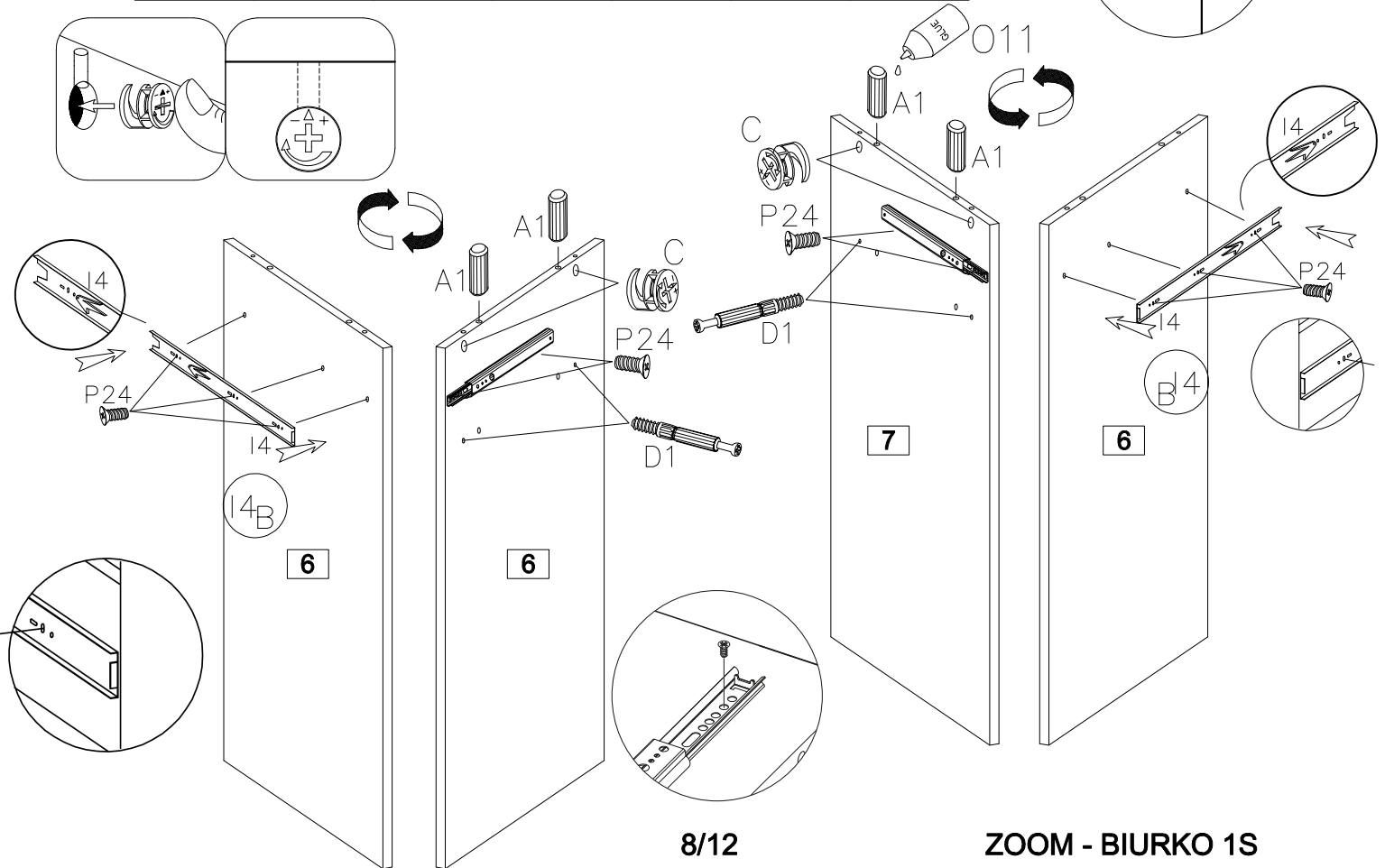
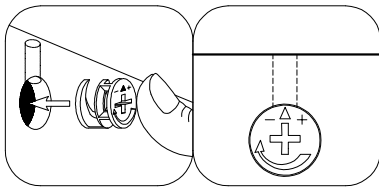
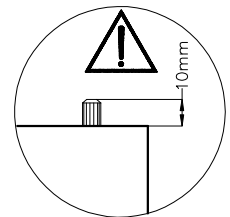
9

		
O11	D1	J1
1	4	1
∅8x35mm	∅15/12mm	∅3.5x15mm
		
A1	C	P25
4	4	2



10

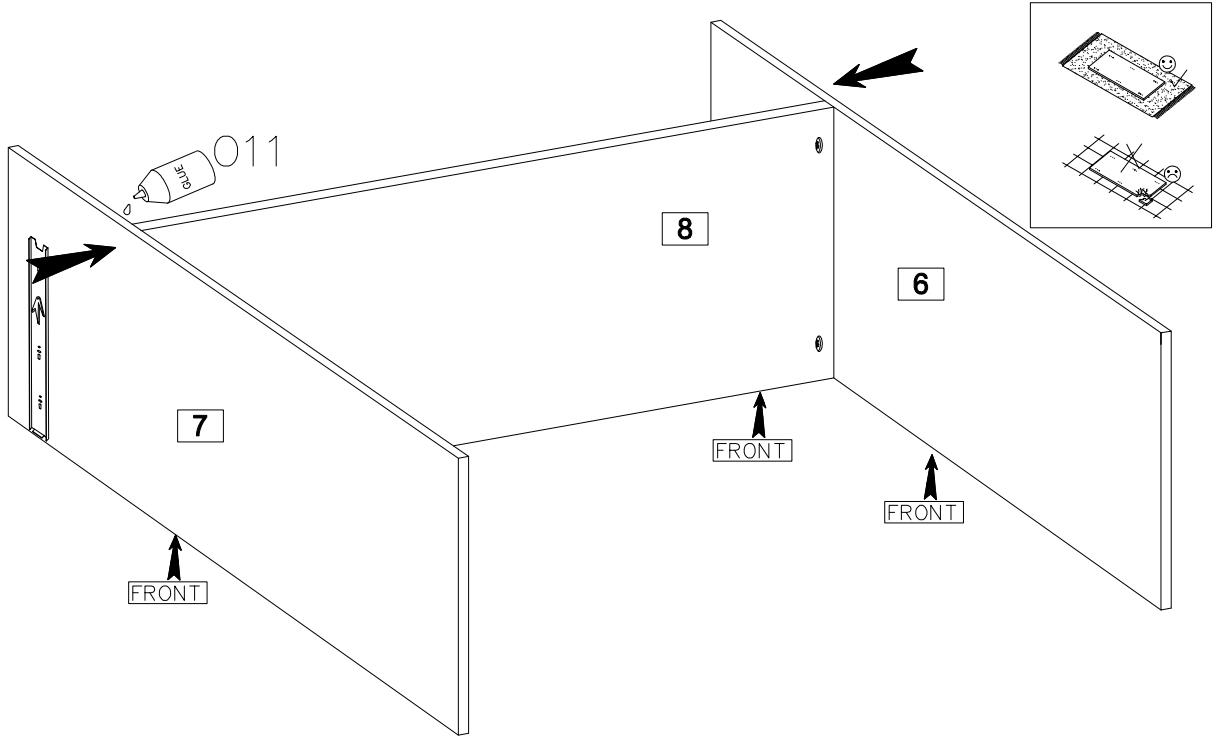
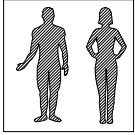
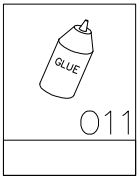
						
A1	C	O11	D1	I2	P24	I4
4	4	1	4	2	10	1SET
∅8x35mm	∅15/12mm			L-310 H-27	∅5.0x10mm	



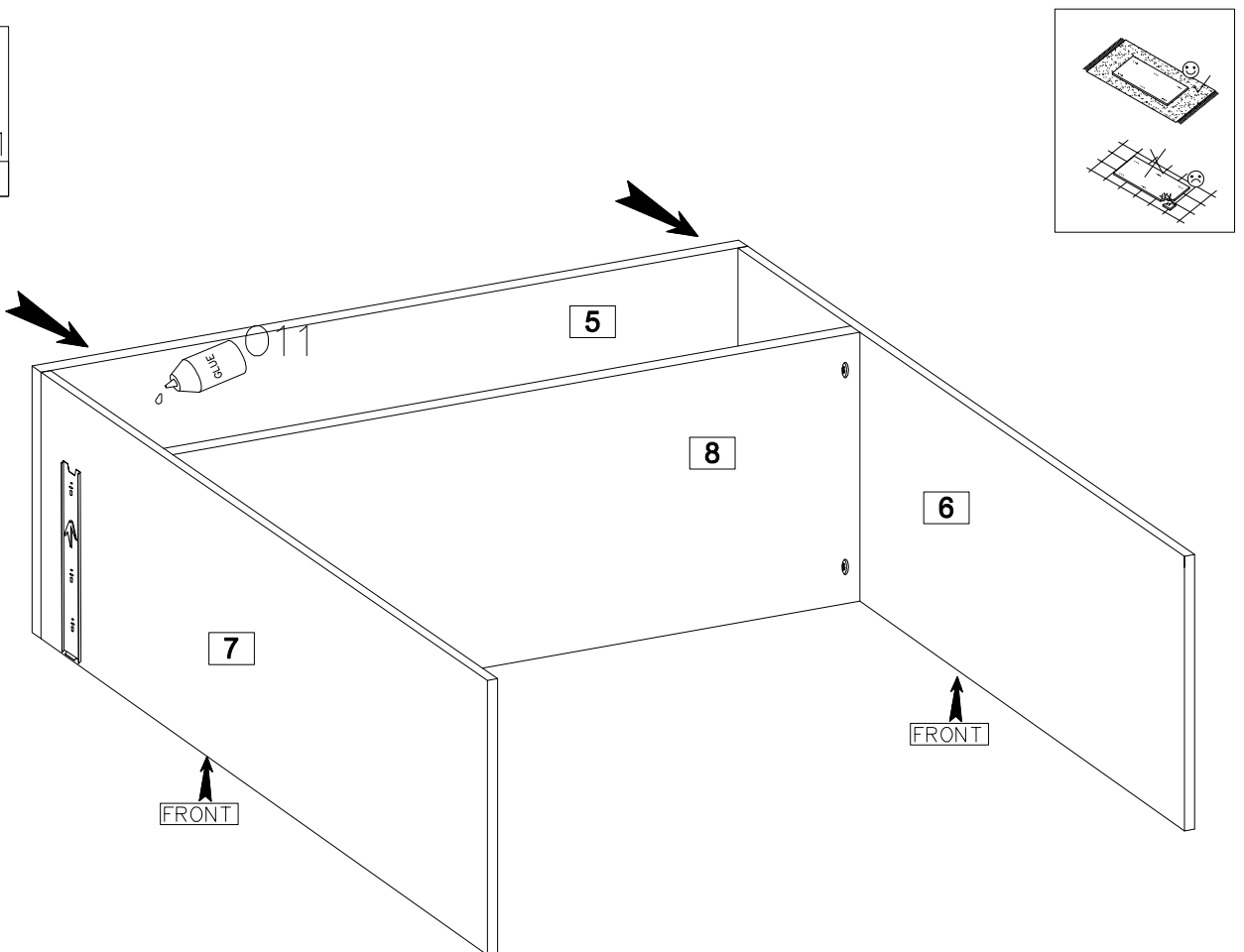
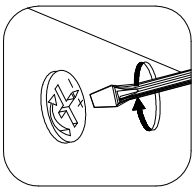
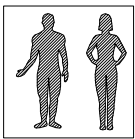
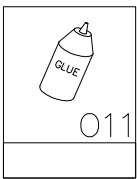
+S

ZOOM

11



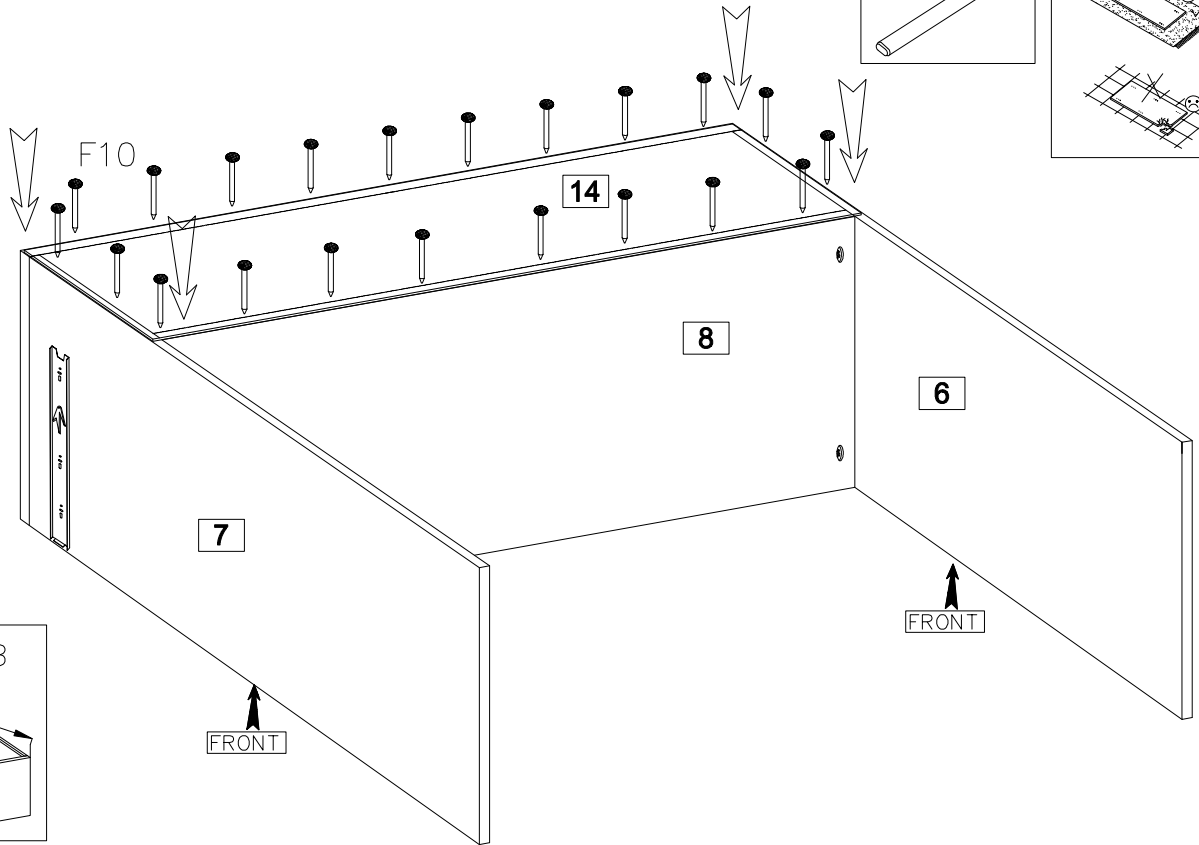
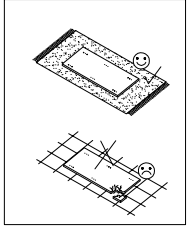
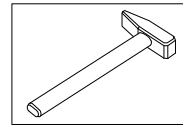
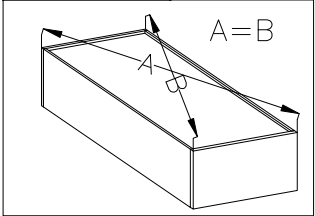
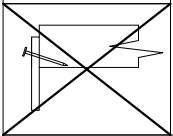
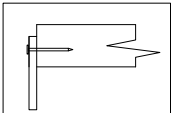
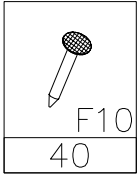
12



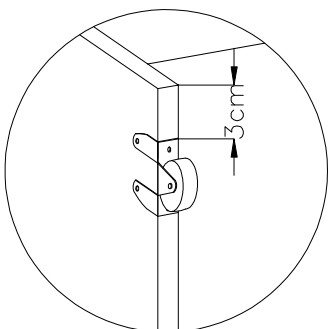
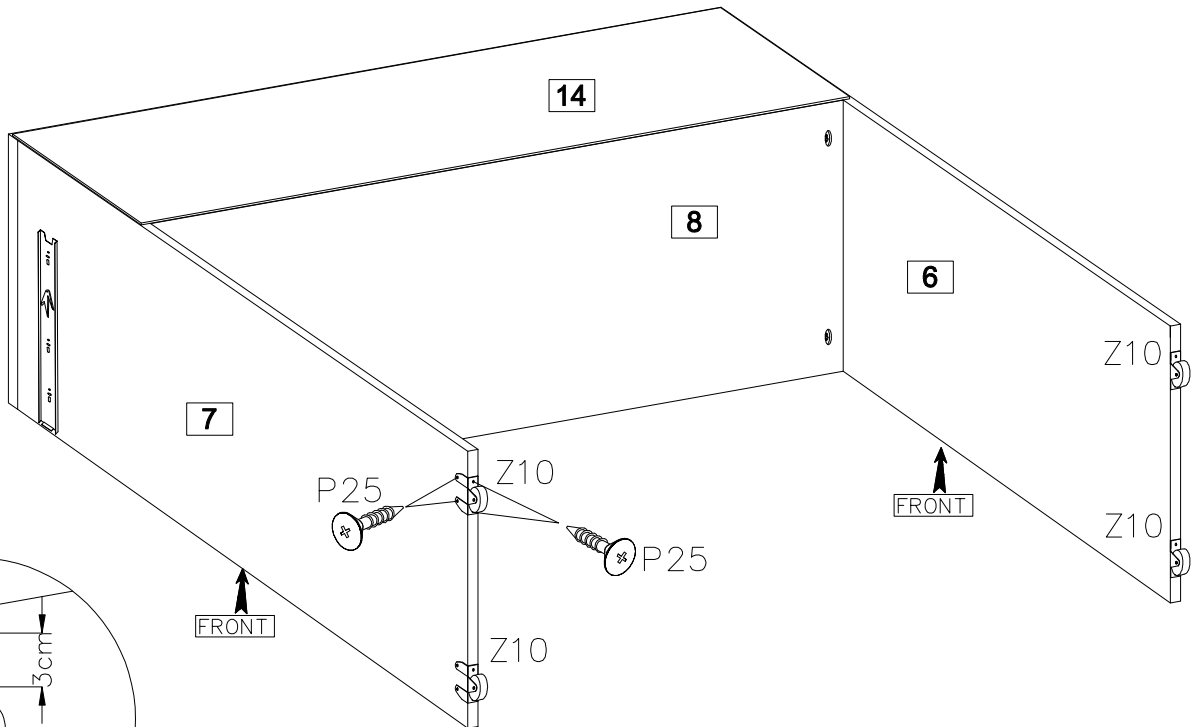
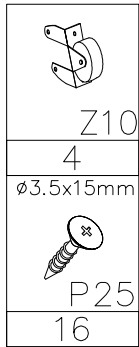
+S

ZOOM

13



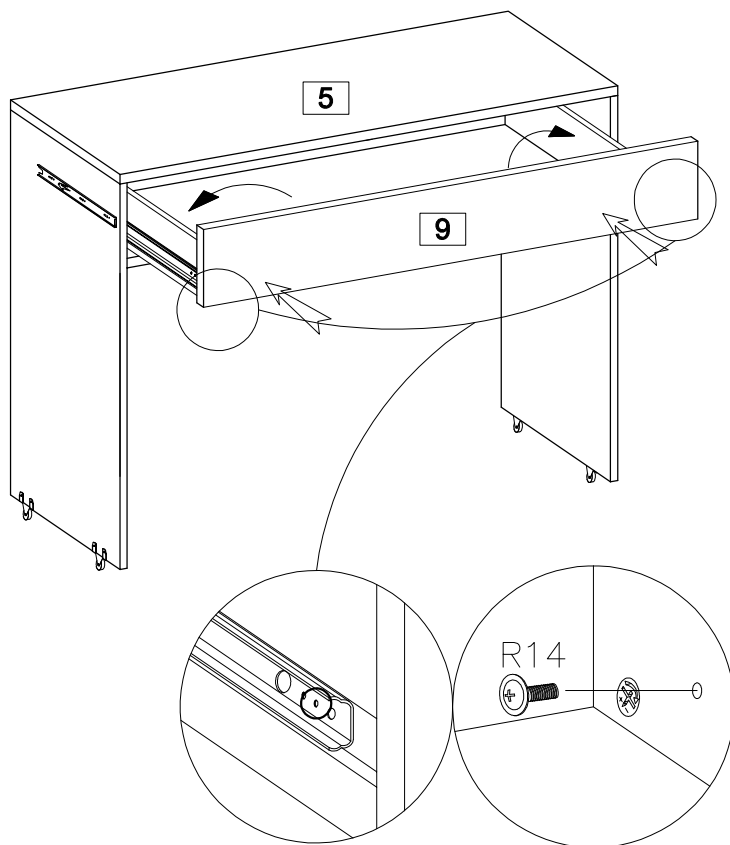
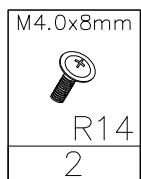
14



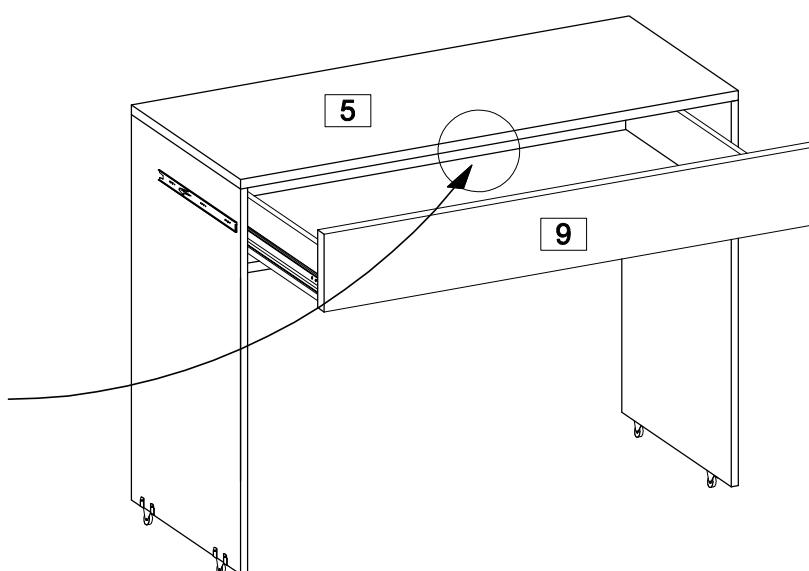
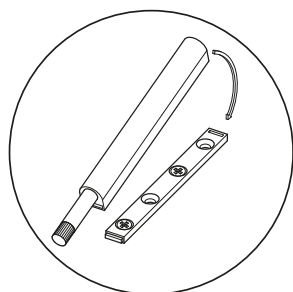
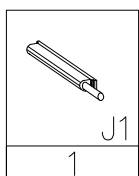
+S

ZOOM

15

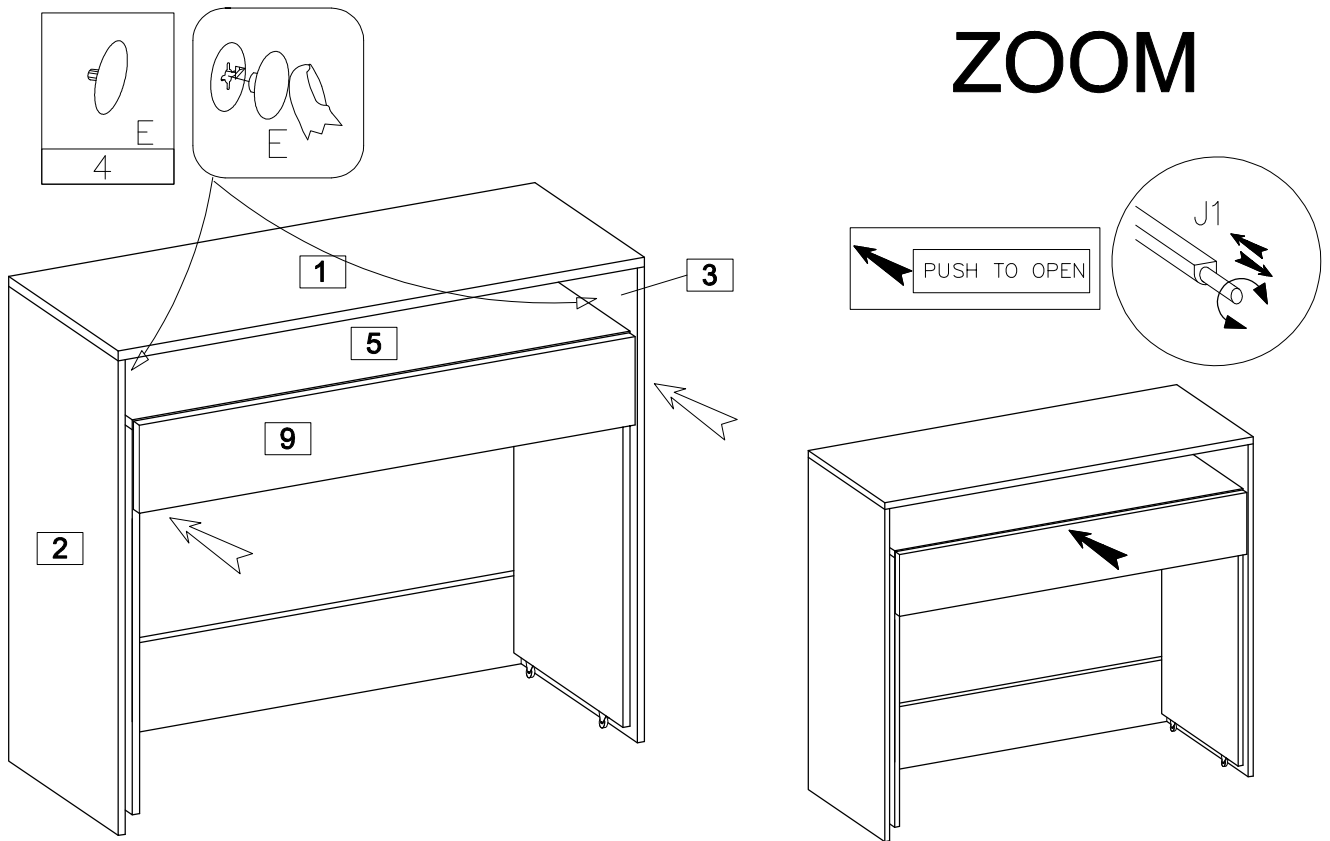


16



# ZOOM

17



18

<p>Ø3.5x15mm</p> <p>P25</p> <p>2</p>	<p>N</p> <p>2</p>
--------------------------------------	-------------------

