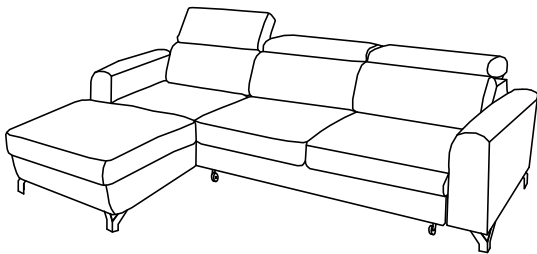
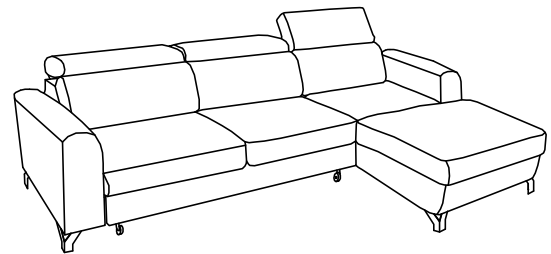


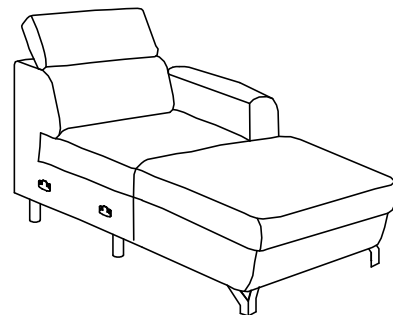
VERSION - L



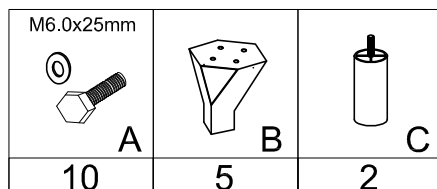
VERSION - R



3FBL

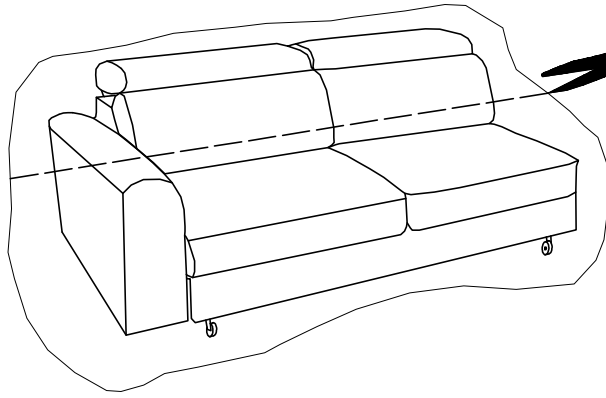


OSBP



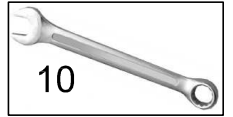
1

3FBL

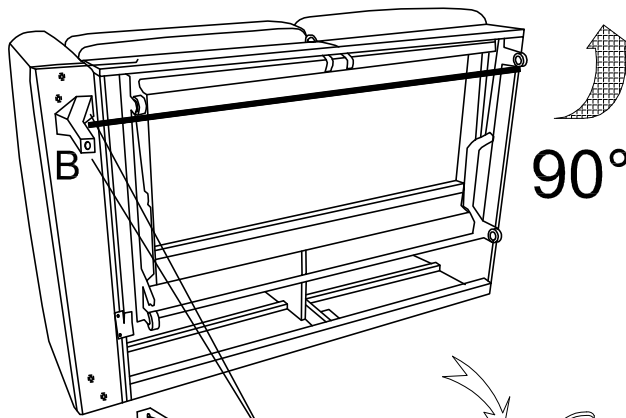
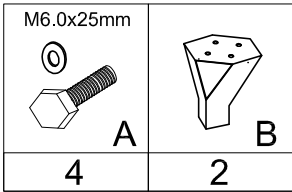


2

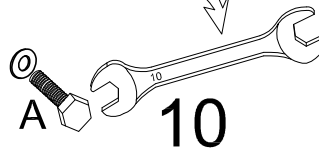
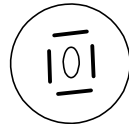
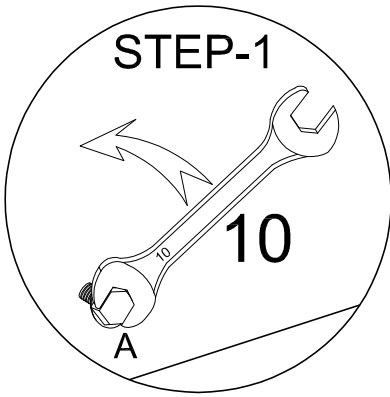
3FBL



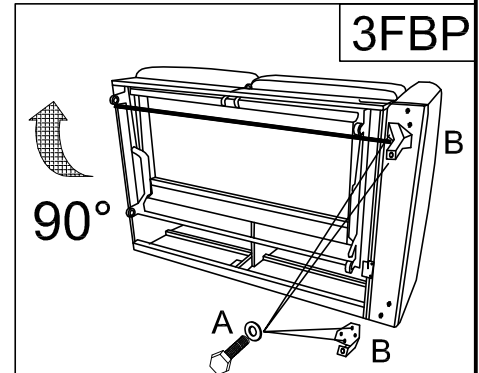
10



90°

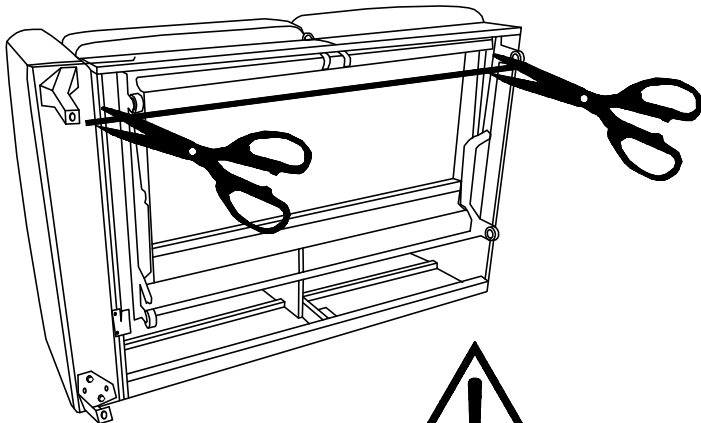


10



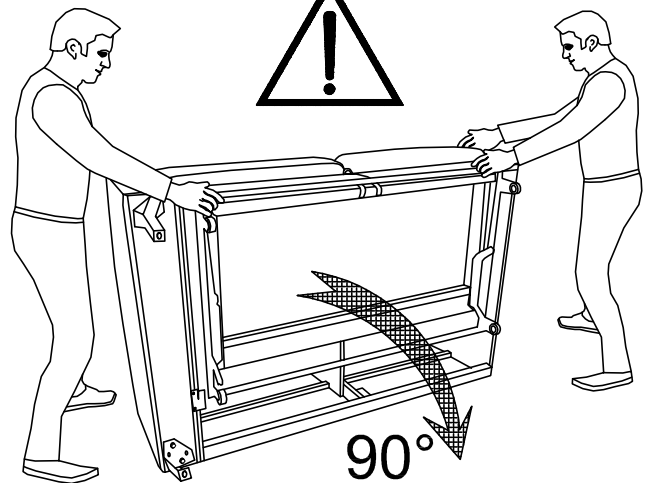
3

3FBL

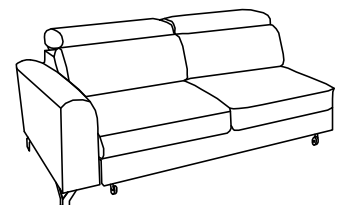


4

3FBL

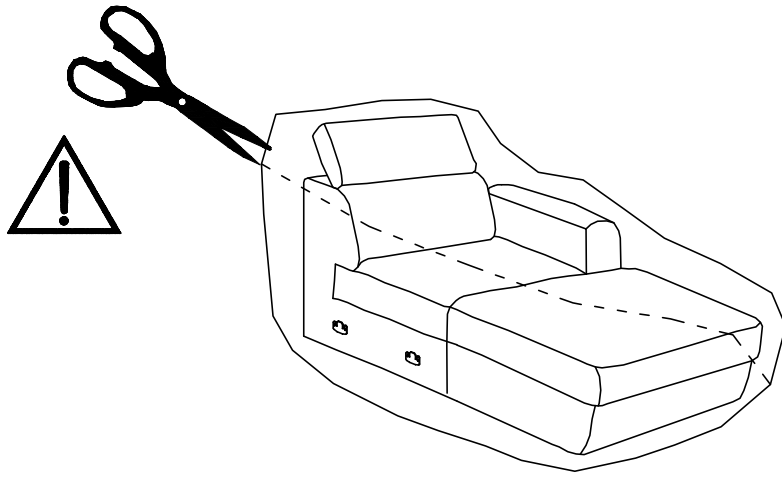


90°



5

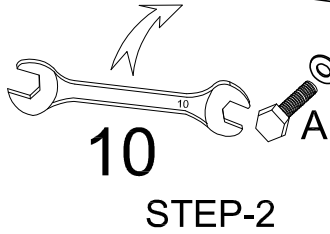
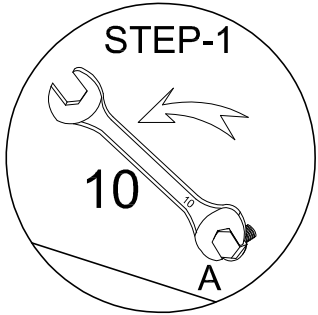
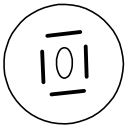
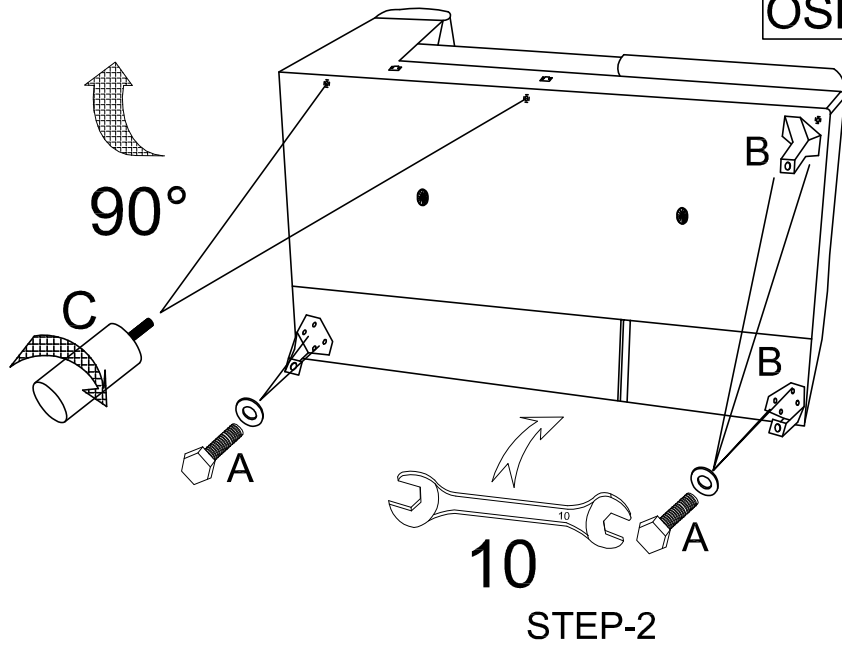
OSBP



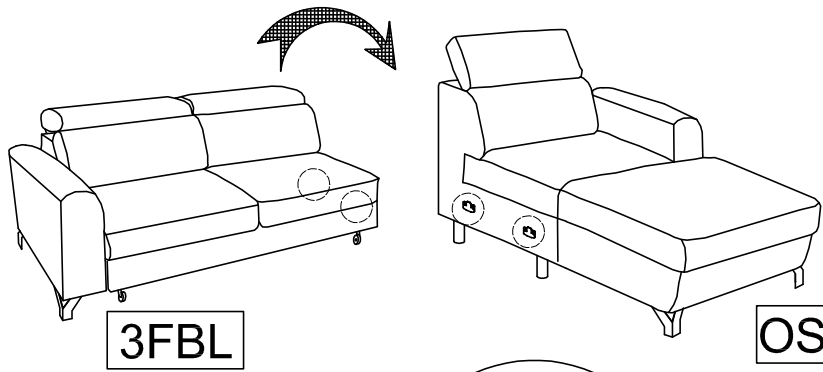
6

M6.0x25mm ① A	 B
6	3
 C	
2	

OSBP

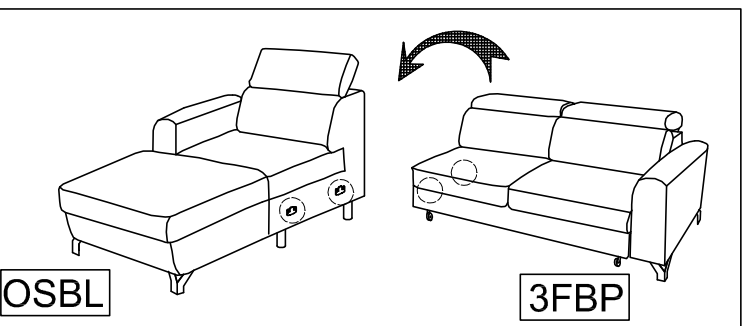


7



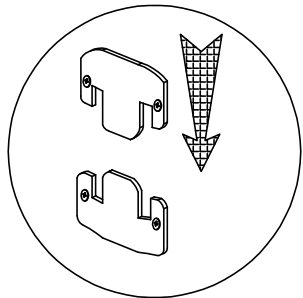
3FBL

OSBP



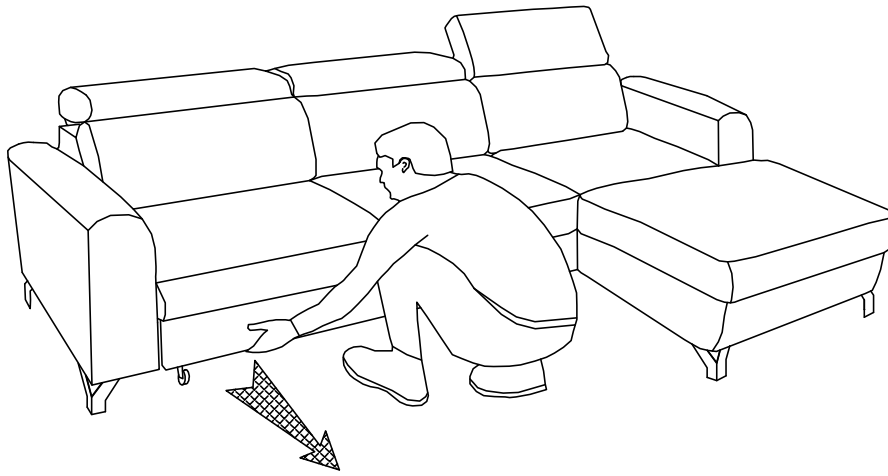
OSBL

3FBP



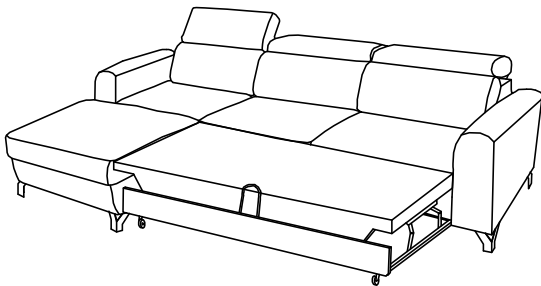
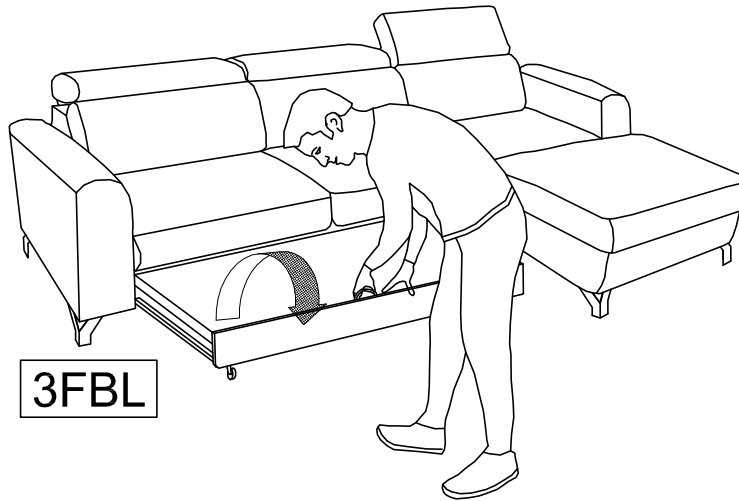
8

3FBL

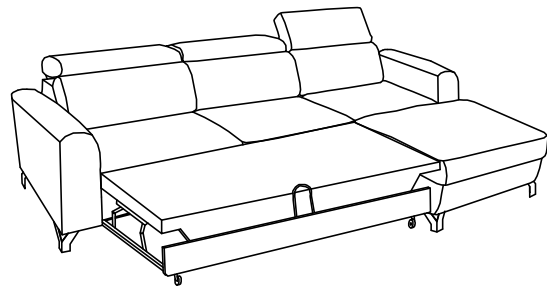


9

3FBL

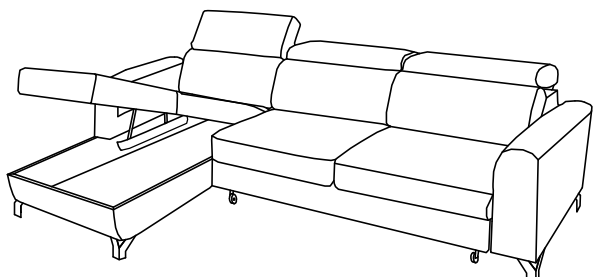
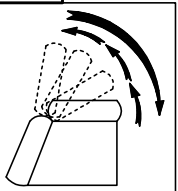


3FBP

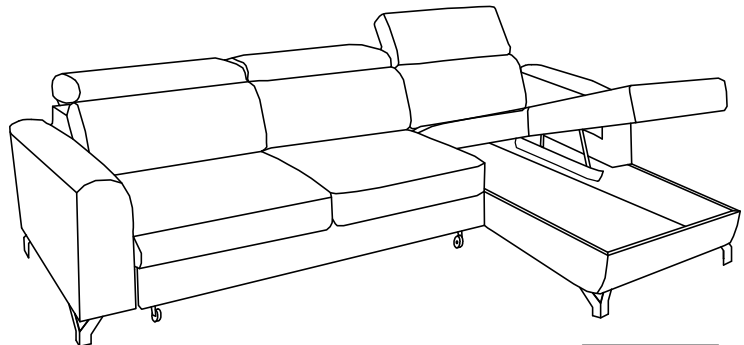


3FBL

10



OSBL



OSBP