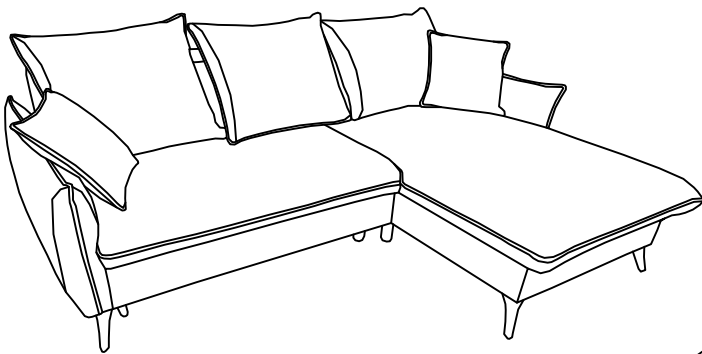
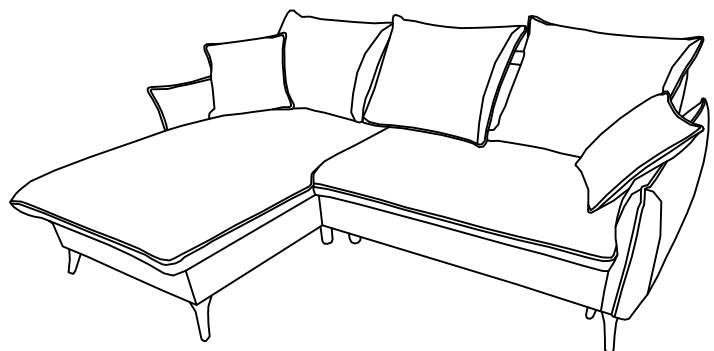


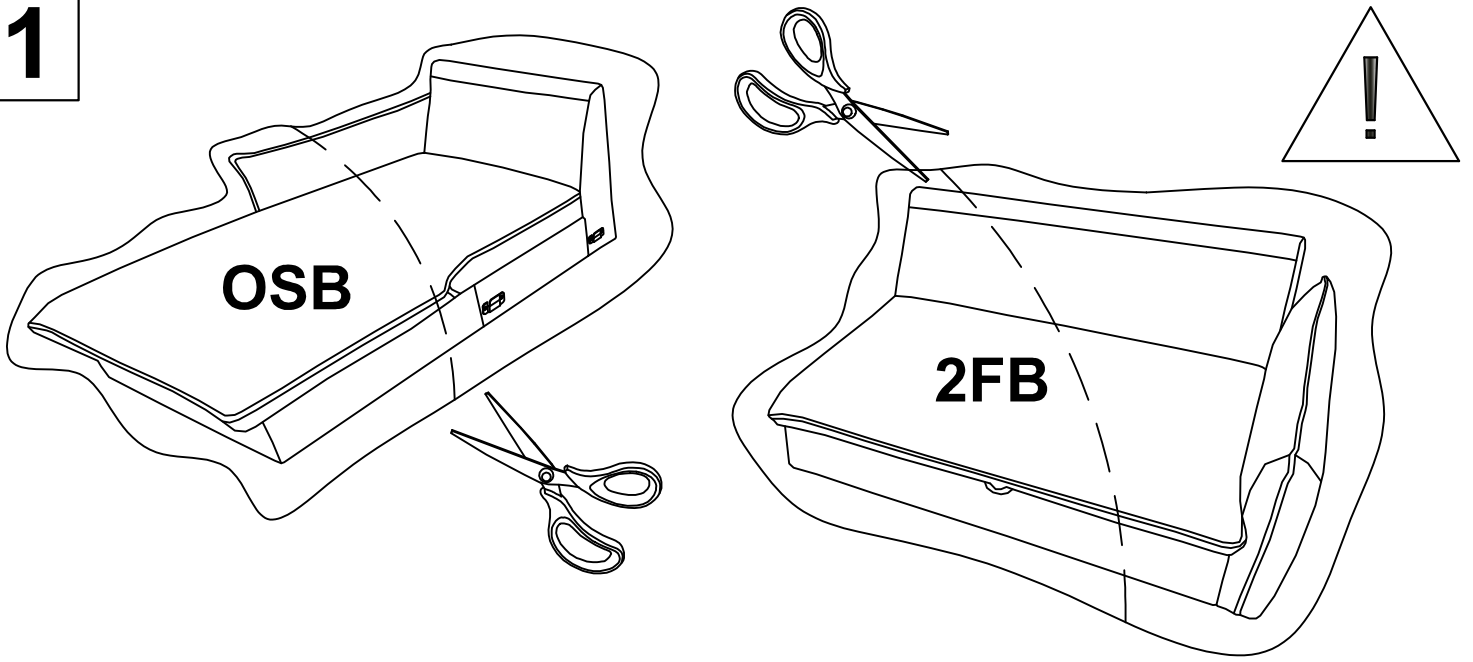
ver. R



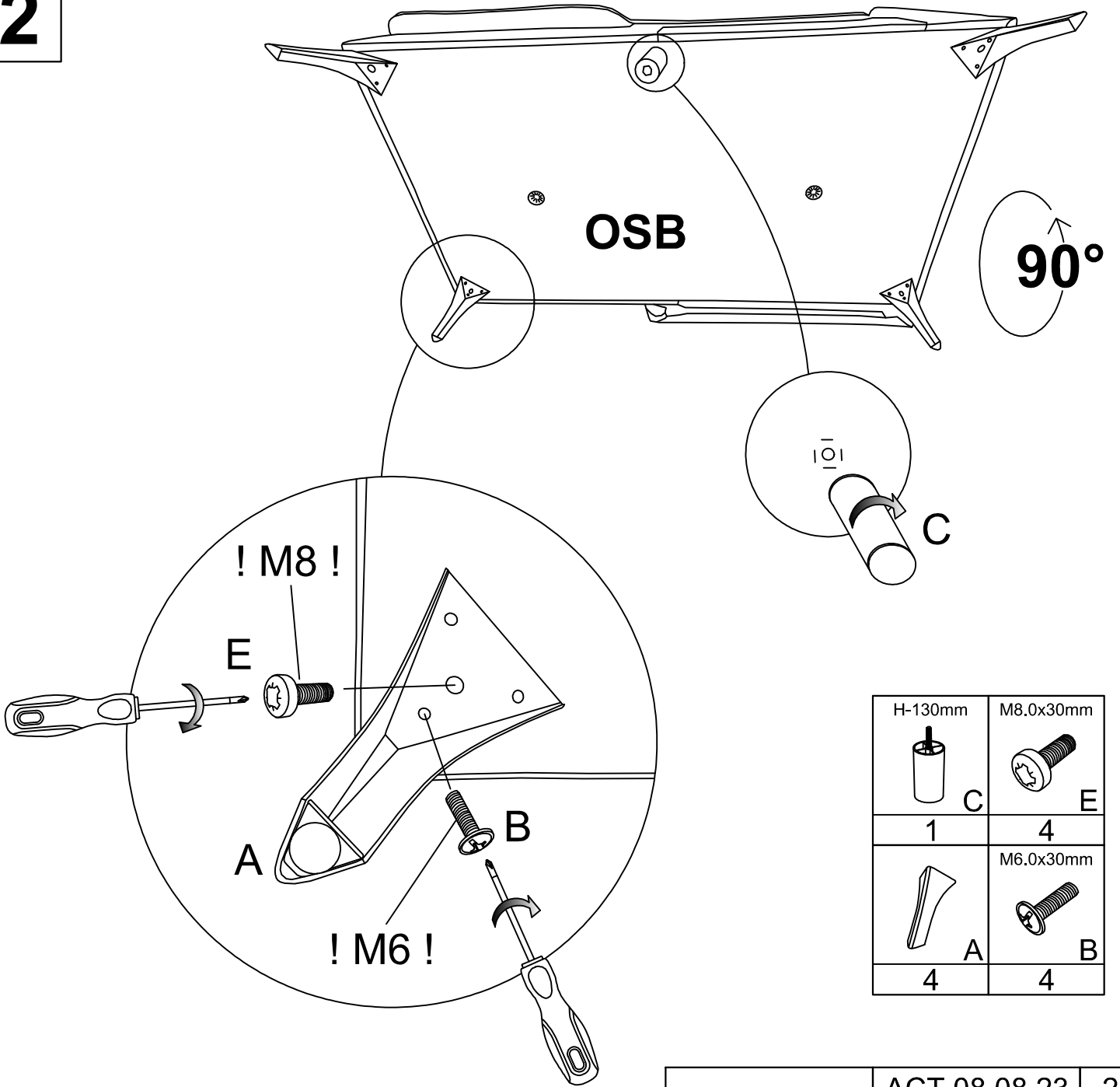
ver. L







1

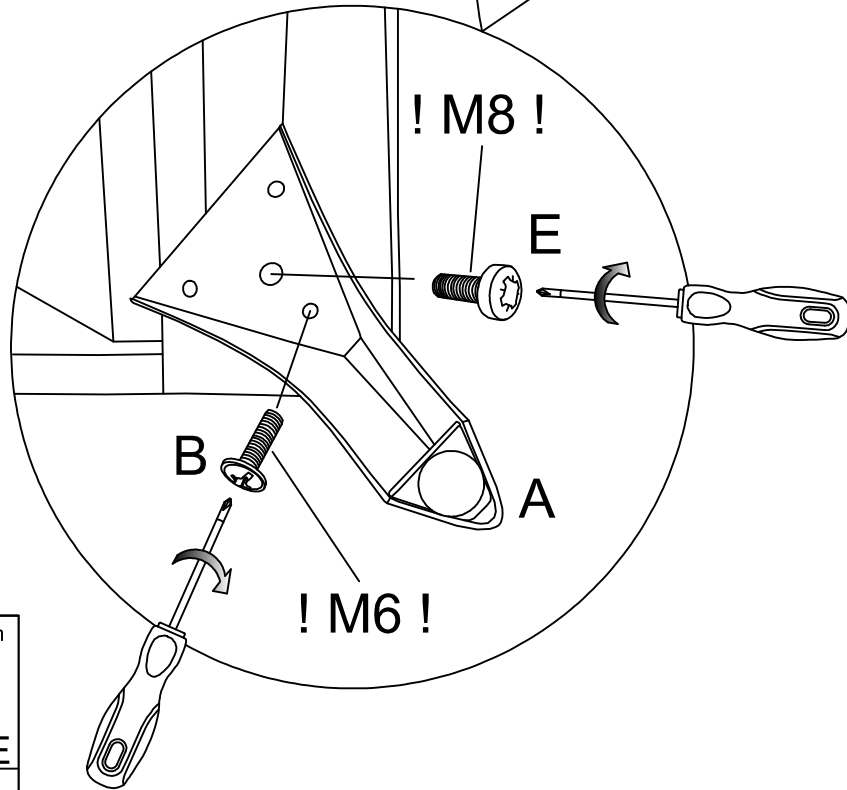
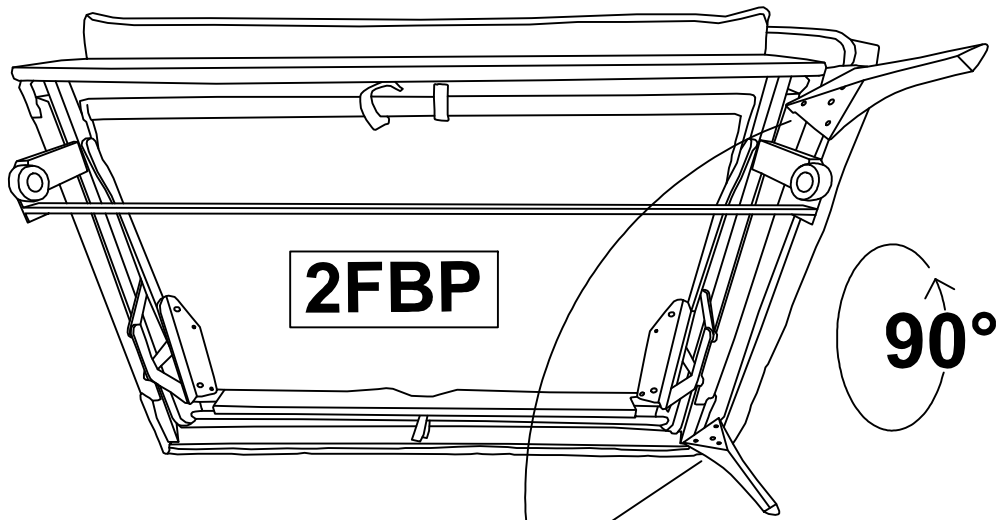



2



H-130mm	M8.0x30mm
	
1	4
	M6.0x30mm
	
4	4

3



	M6.0x30mm	M8.0x30mm
A	B	E
2	2	2

4

