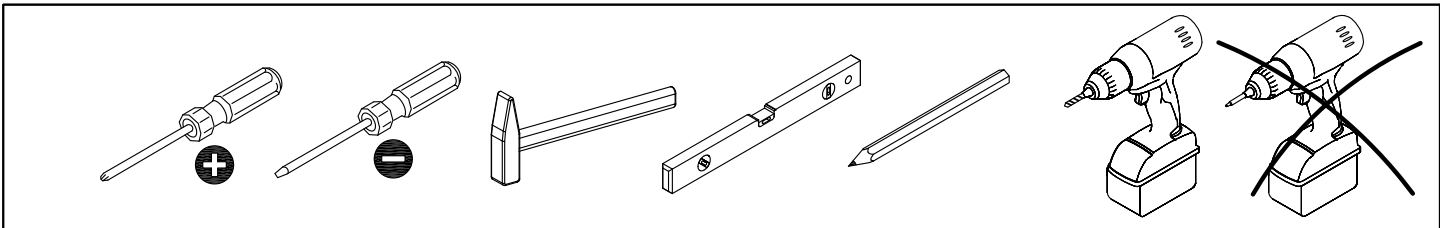
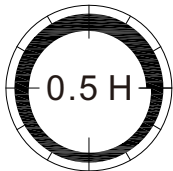
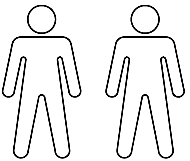
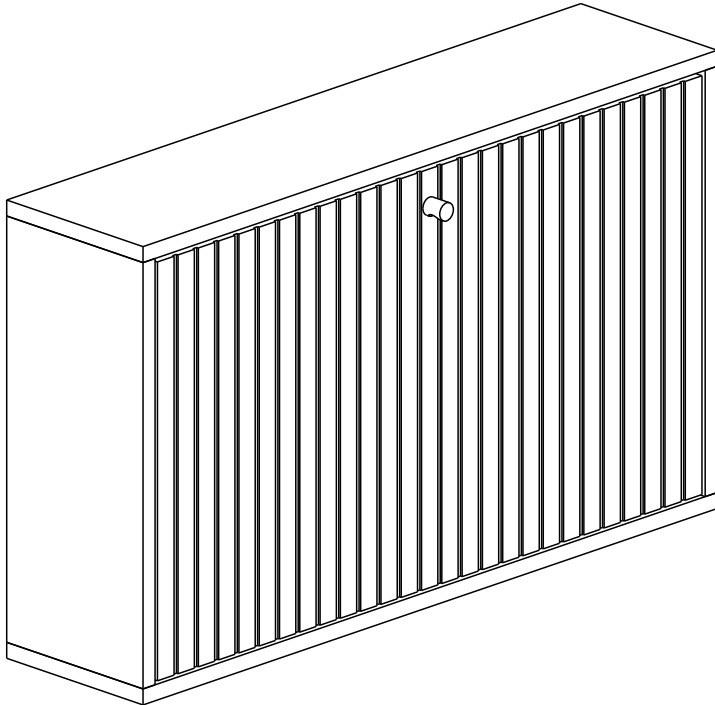
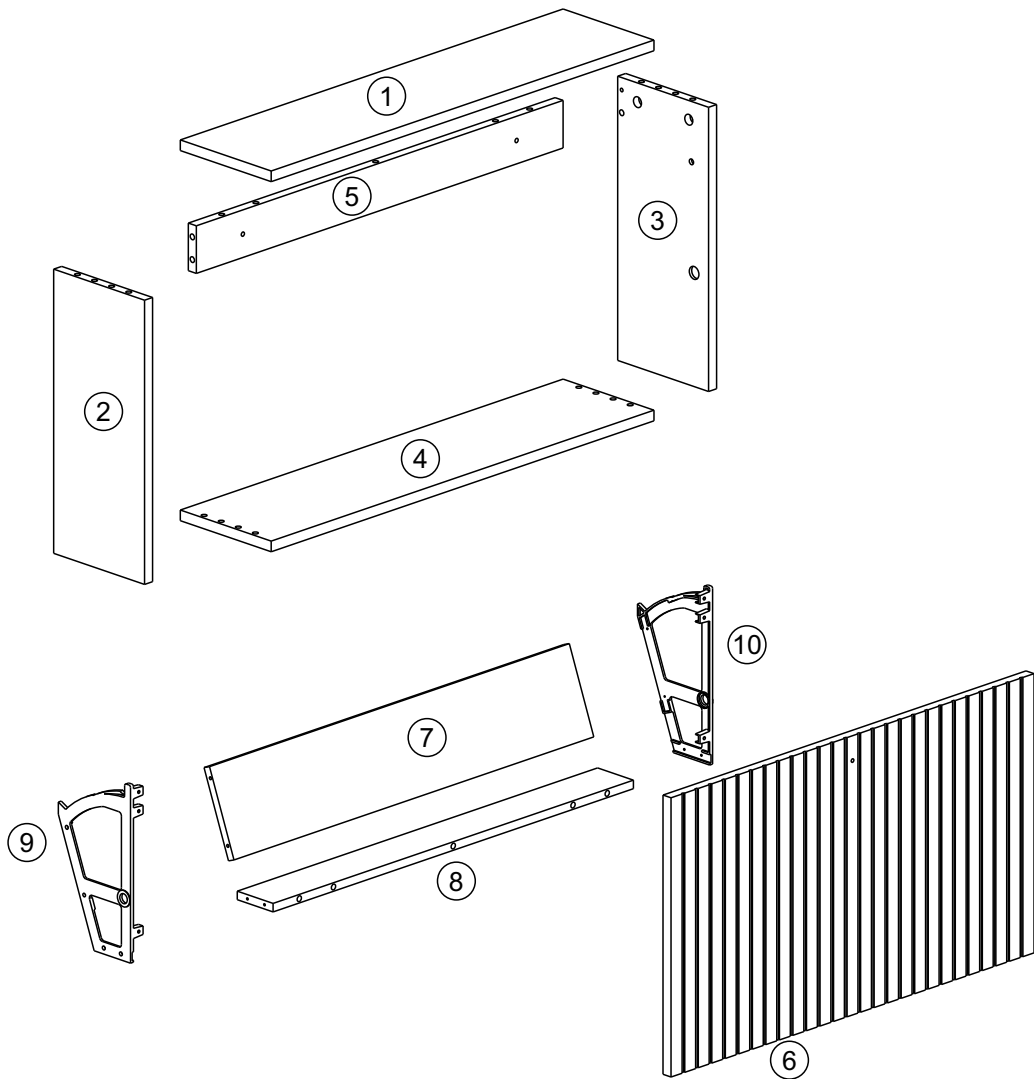
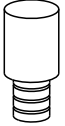
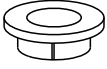

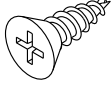
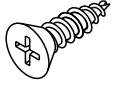

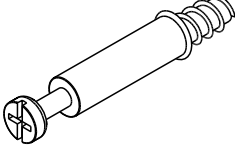
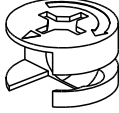

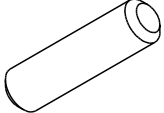
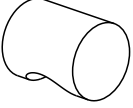
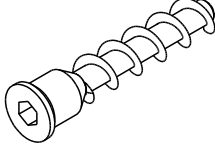
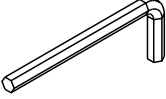


# ALBANY

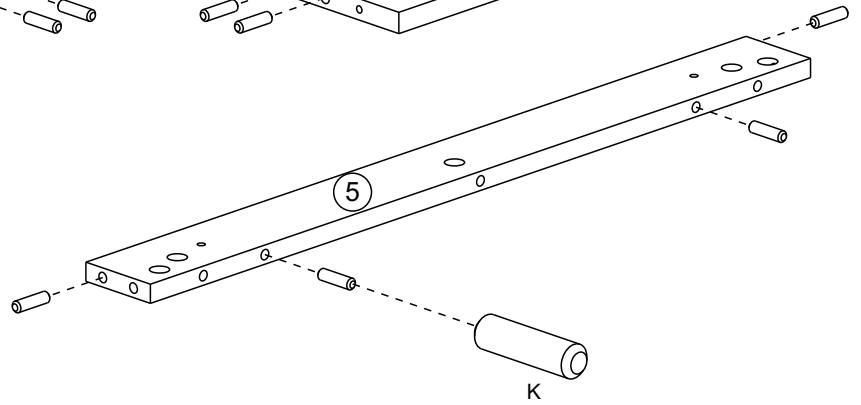
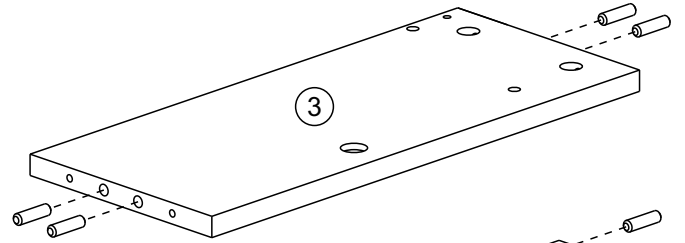
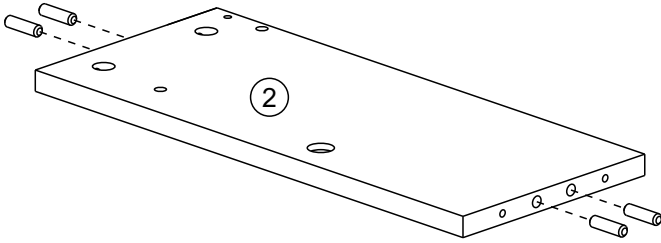
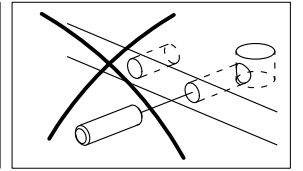
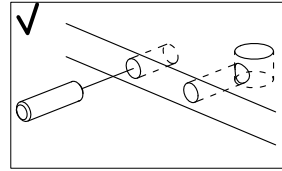
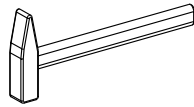
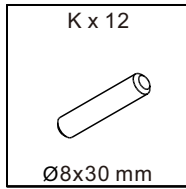


			✓
①	1	716x170x15mm	
②	1	400x170x15mm	
③	1	400x170x15mm	
④	1	716x170x15mm	
⑤	1	685x65x15mm	
⑥	1	390x679x16mm	
⑦	1	673x139x12mm	
⑧	1	673x67x12mm	
⑨	1	250x135x23mm	
⑩	1	250x135x23mm	

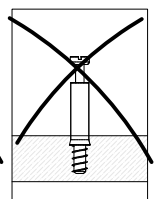
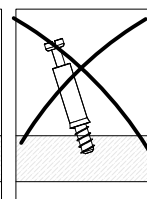
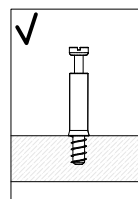
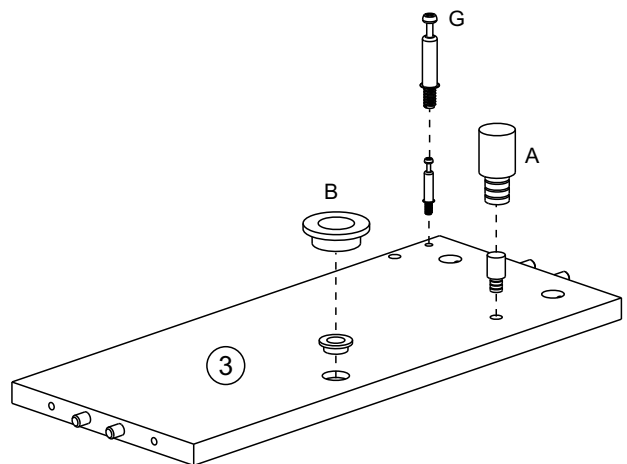
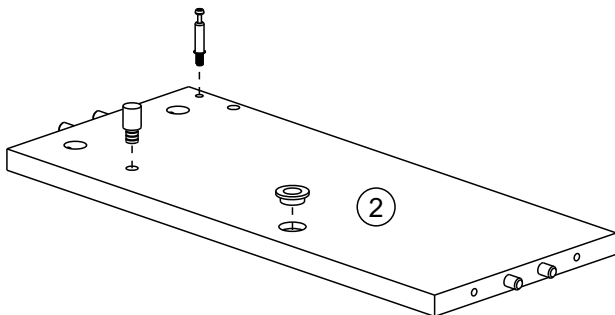
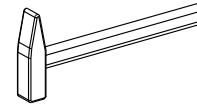
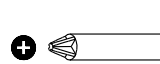
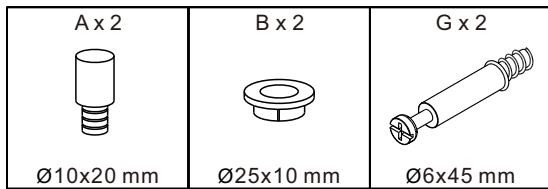


<p>A x 2</p>  <p>Ø10x20 mm</p>	<p>B x 2</p>  <p>Ø25x10 mm</p>	<p>C x 2</p>  <p>Ø19x10 mm</p>	<p>D x 2</p>  <p>Ø5x14 mm</p>	<p>E x 14</p>  <p>Ø4x16 mm</p>
<p>F x 1</p>  <p>M4x20 mm</p>	<p>G x 12</p>  <p>Ø6x45 mm</p>	<p>H x 3</p>  <p>Ø15x9 mm</p>	<p>J x 9</p>  <p>Ø15x12 mm</p>	<p>K x 14</p>  <p>Ø8x30 mm</p>
<p>L x 1</p>  <p>Ø17x22 mm</p>	<p>M x 4</p>  <p>Ø5x38 mm</p>	<p>N x 1</p>  <p>3 mm</p>		

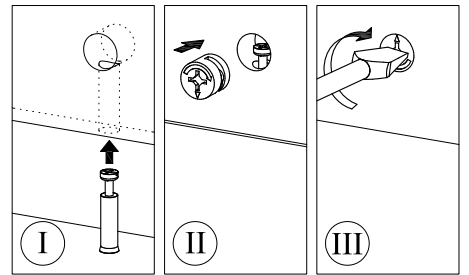
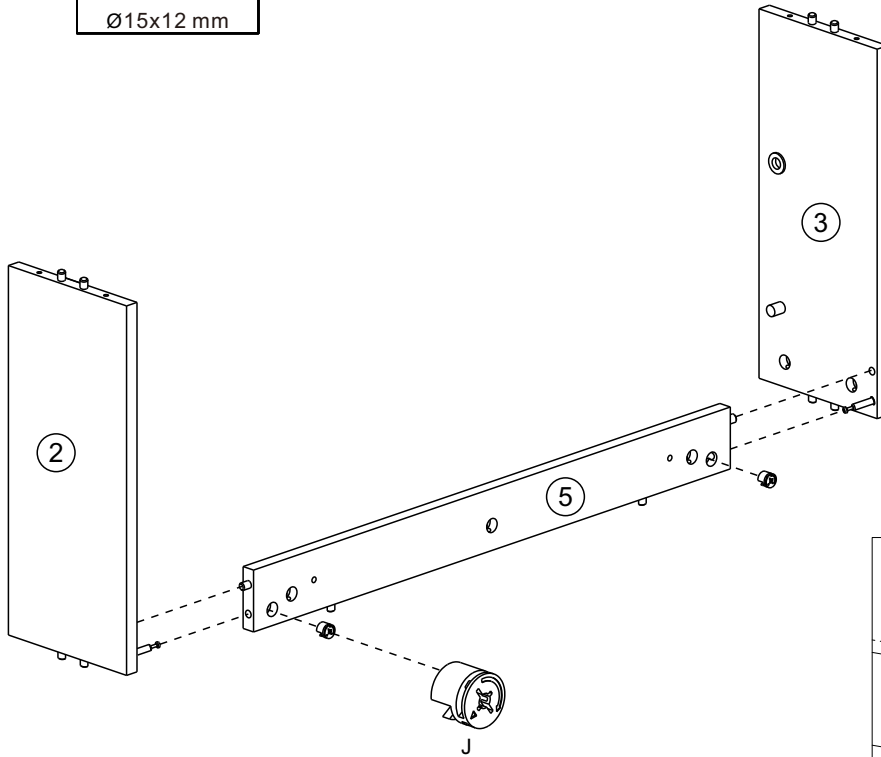
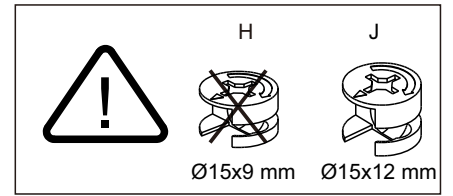
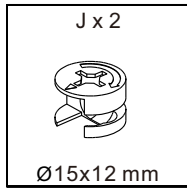
# 1



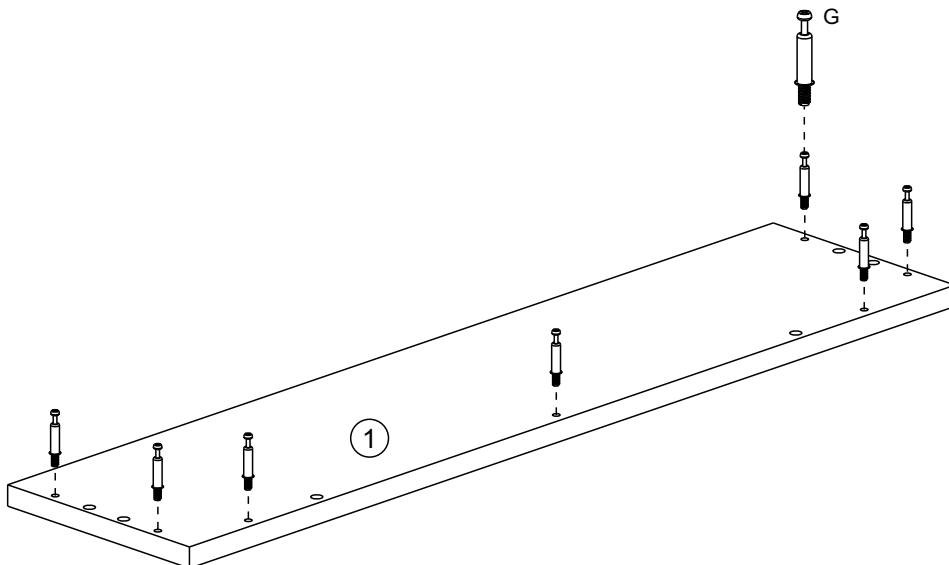
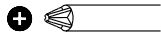
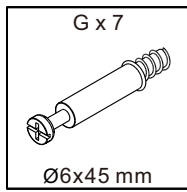
# 2



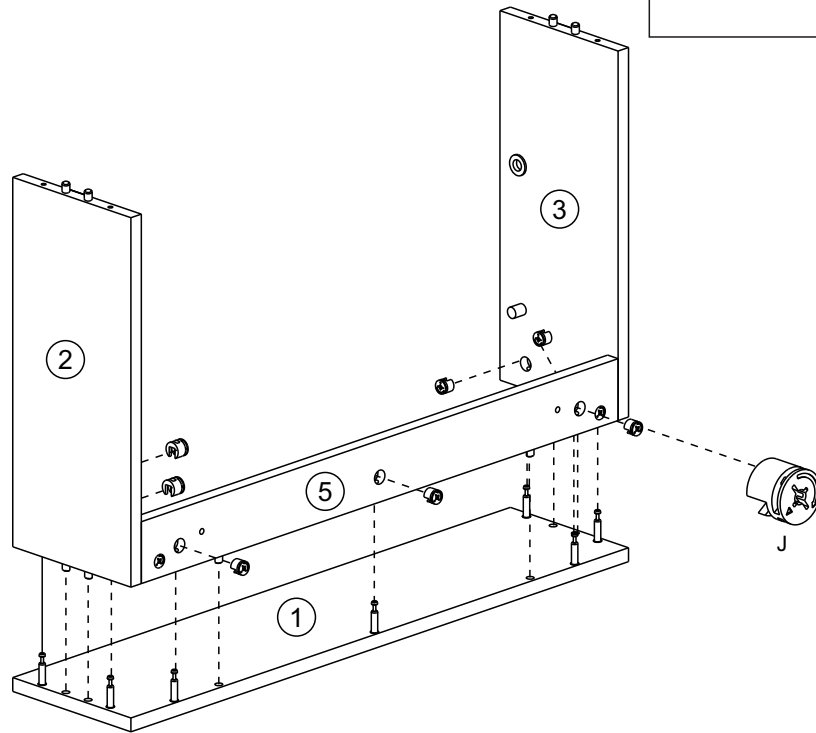
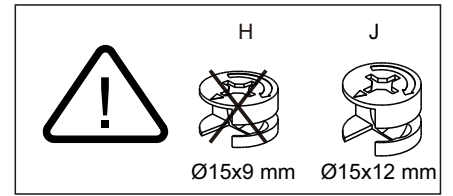
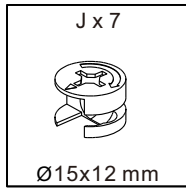
# 3



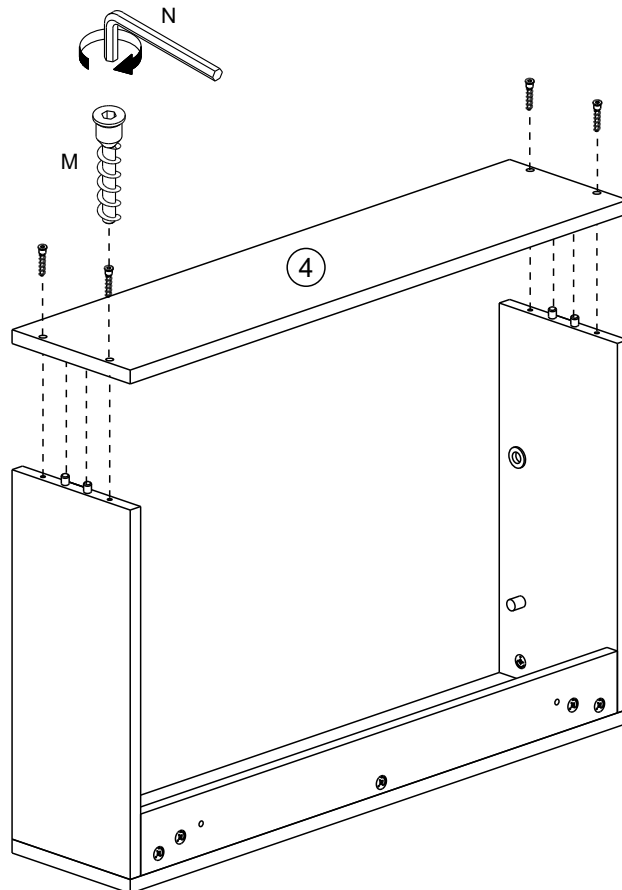
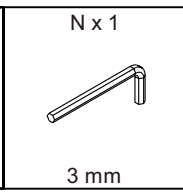
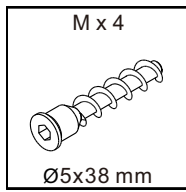
# 4



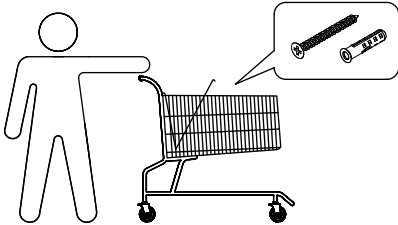
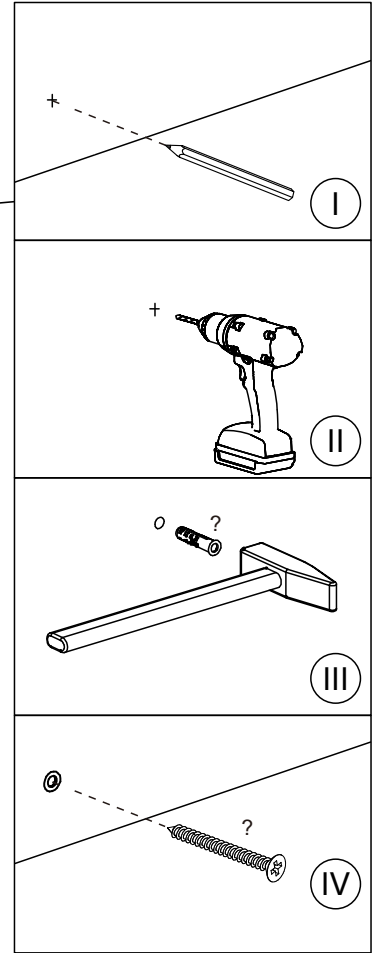
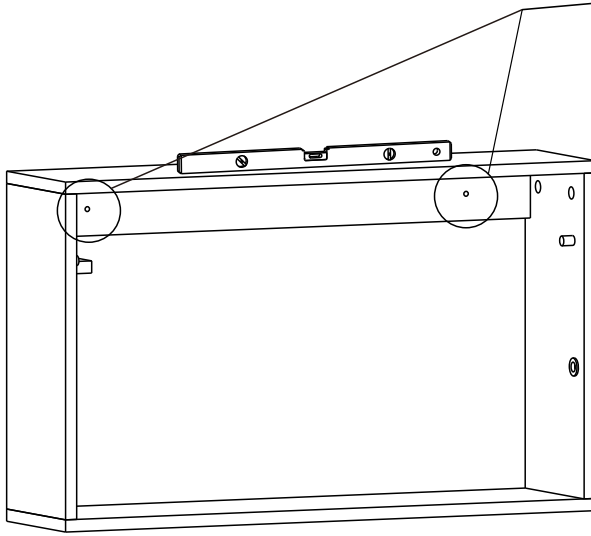
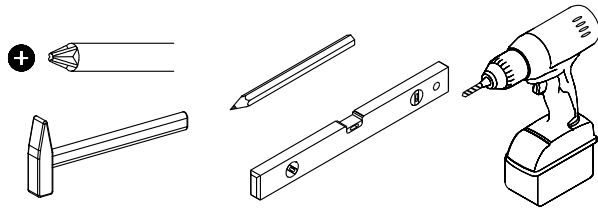
# 5



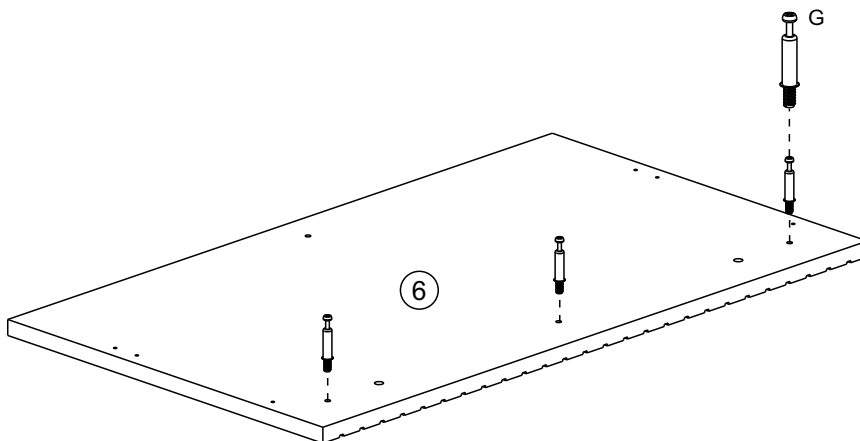
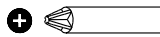
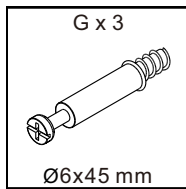
# 6



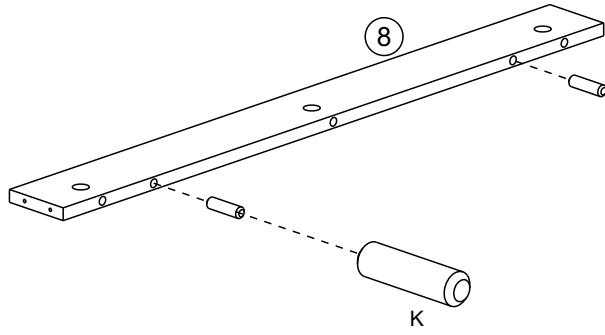
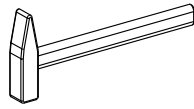
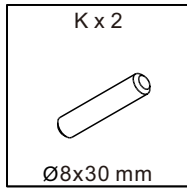
# 7



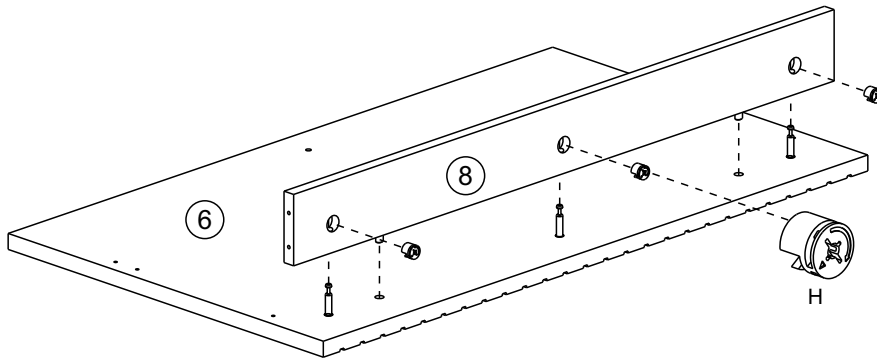
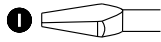
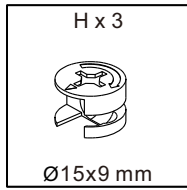
# 8



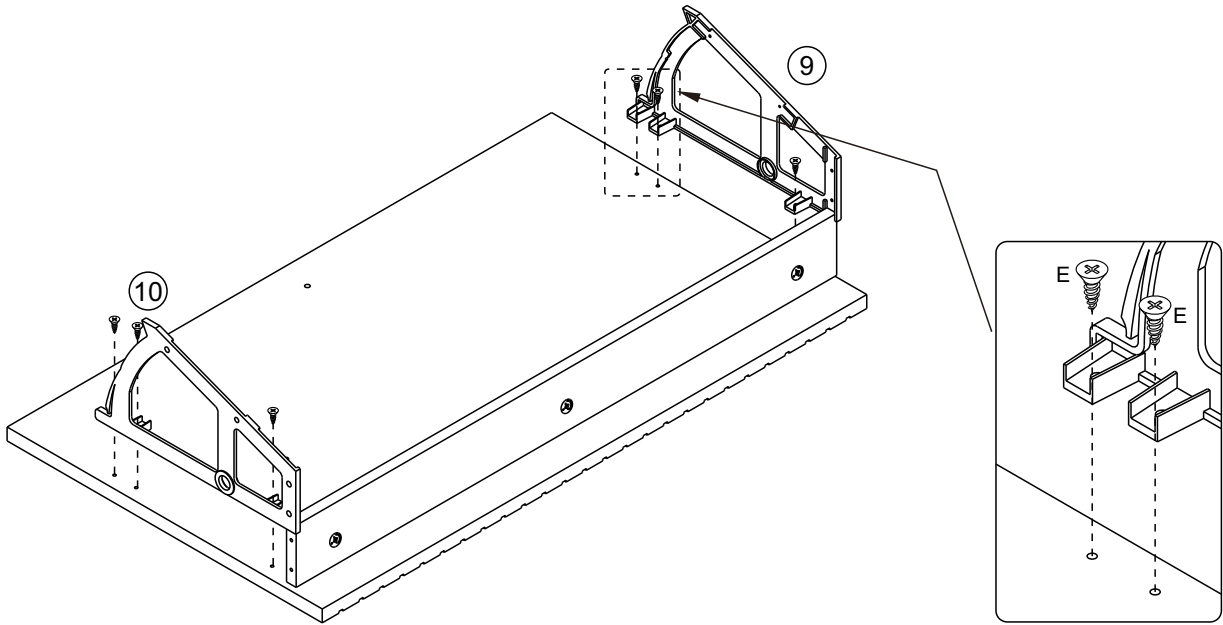
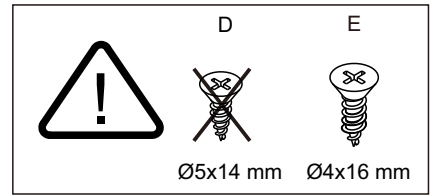
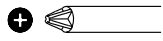
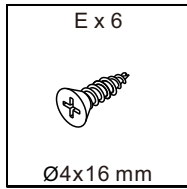
9



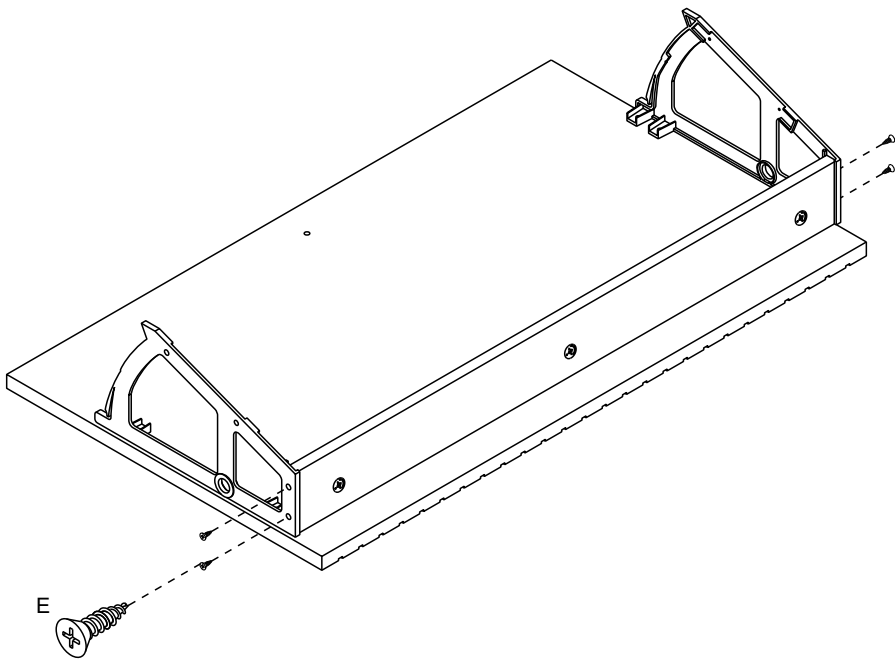
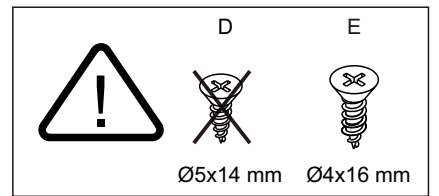
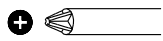
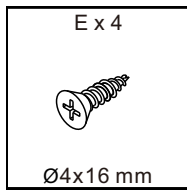
10



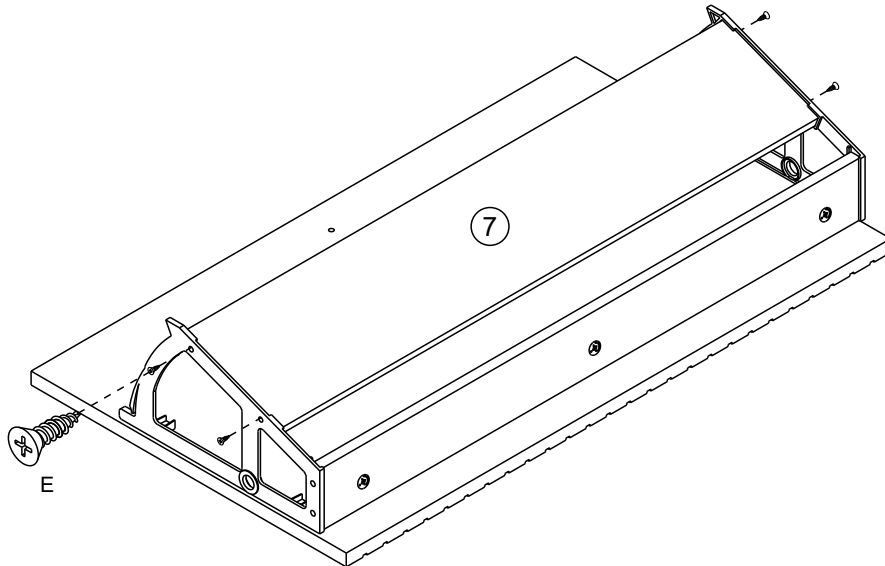
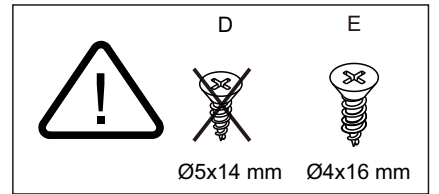
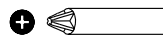
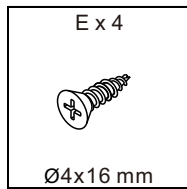
# 11



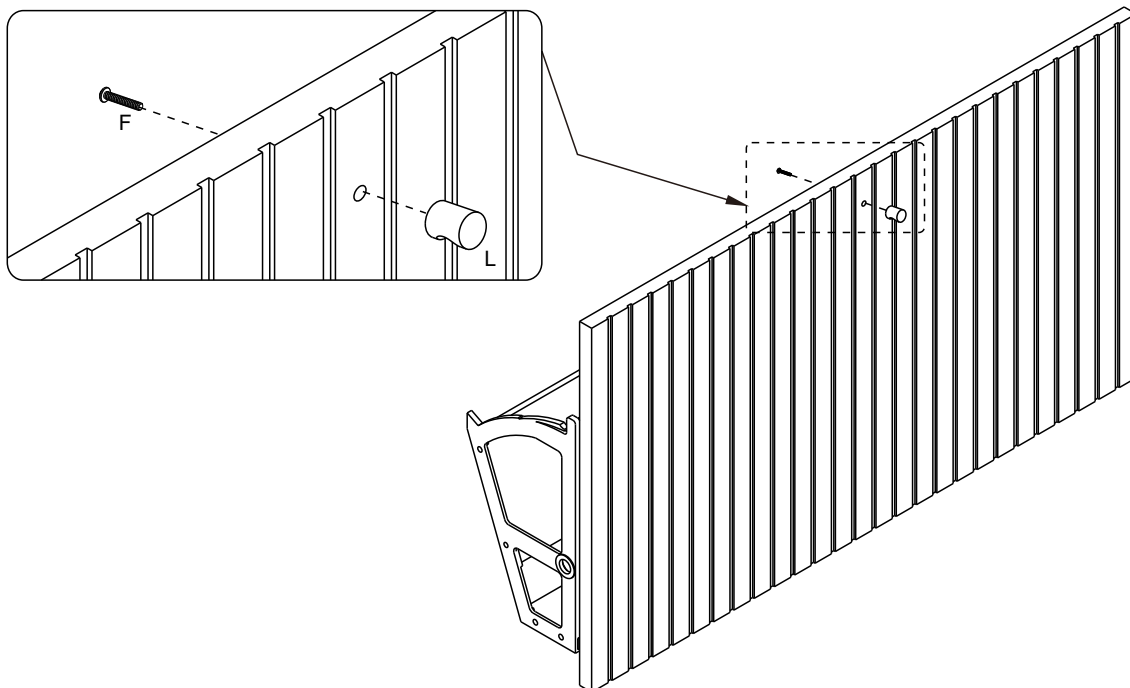
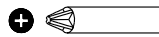
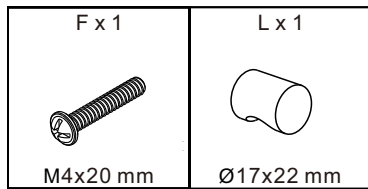
# 12



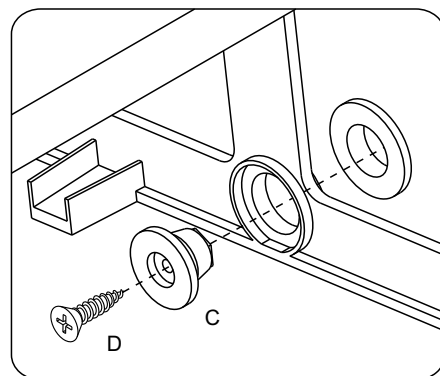
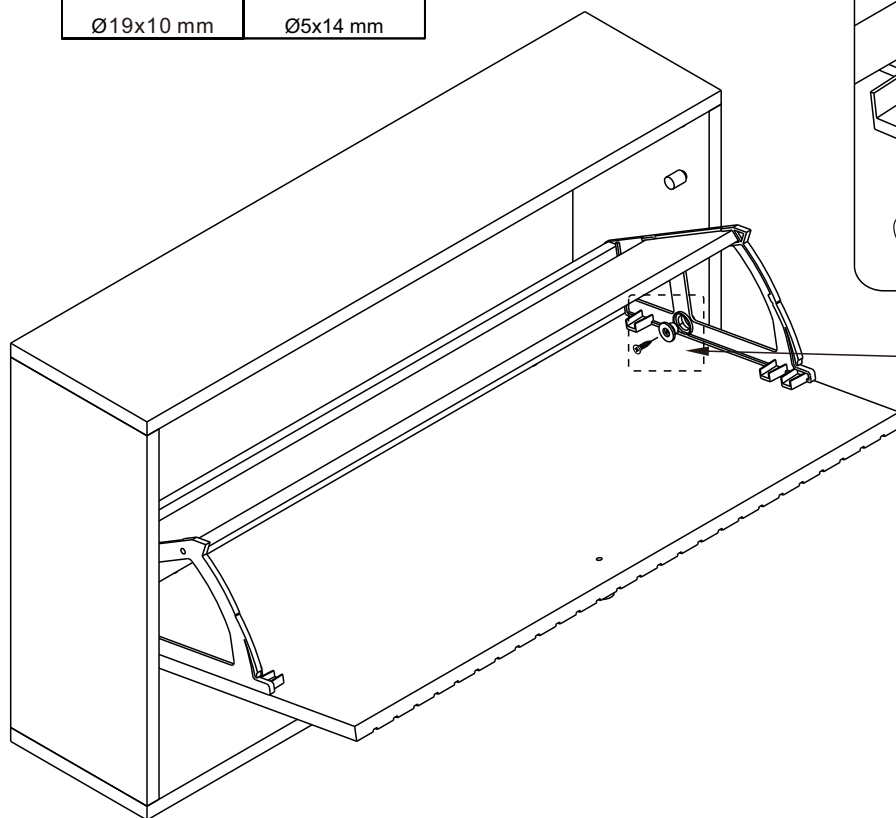
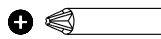
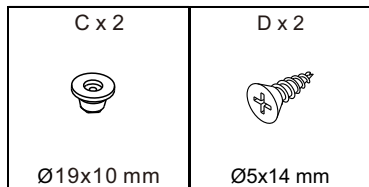
# 13



# 14



# 15



# 16

